

GENERAL NOTES: SERIES 555 LARGE & SMALL MISSILE, IMPACT-RESISTANT, VINYL, REINFORCED, OUTSWING FRENCH DOOR & SIDELITE/TRANSOM (SLT/TR)

DESIGN PRESSURE RATING	IMPACT RATING
VARIABLES, SEE SHEETS 4 & 5	RATED FOR LARGE & SMALL MISSILE IMPACT RESISTANCE

1) THIS PRODUCT HAS BEEN DESIGNED & TESTED TO COMPLY WITH THE REQUIREMENTS OF THE FLORIDA BUILDING CODE.

2) SHUTTERS ARE NOT REQUIRED WHEN USED IN WIND-BORNE DEBRIS REGIONS.

3) MATERIALS USED FOR ANCHOR EVALUATIONS WERE SOUTHERN PINE, ASTM C90 CONCRETE MASONRY UNITS AND CONCRETE WITH MIN. KSI PER ANCHOR TYPE.

4) MASONRY ANCHORS MAY BE USED INTO WOOD AS PER TABLE 1, THIS SHEET. ALL WOOD BUCKS LESS THAN 1-1/2" THICK ARE TO BE CONSIDERED 1X INSTALLATIONS. 1X WOOD BUCKS ARE OPTIONAL IF UNIT IS INSTALLED DIRECTLY TO SUBSTRATE. WOOD BUCKS DEPICTED AS 2X ARE 1-1/2" THICK OR GREATER. 1X AND 2X BUCKS (WHEN USED) SHALL BE DESIGNED TO PROPERLY TRANSFER LOADS TO THE STRUCTURE. WOOD BUCK DESIGN AND INSTALLATION IS THE RESPONSIBILITY OF THE ENGINEER OR ARCHITECT OF RECORD.

5) IF SILL IS TIGHT TO SUBSTRATE, GROUT IS NOT REQUIRED. IF USED, NON-SHRINK, NON-METALLIC GROUT, 3400 PSI MIN., (DONE BY OTHERS) (MAX. 1/4" SHIM SPACE FOR GROUT) MUST FULLY SUPPORT THE ENTIRE LENGTH OF THE SILL THAT IS NOT TIGHT TO THE SUBSTRATE, AND TRANSFER SHEAR LOAD TO SUBSTRATE. IF SUBSTRATE IS WOOD, 30# FELT PAPER OR MASTIC IS REQUIRED BETWEEN THE GROUT AND WOOD SUBSTRATE, OR AS APPROVED BY THE AUTHORITY HAVING JURISDICTION, COMPLYING WITH THE FBC.

6) ANCHOR EMBEDMENT TO BASE MATERIAL SHALL BE BEYOND WALL DRESSING OR STUCCO. USE ANCHORS OF SUFFICIENT LENGTH TO ACHIEVE THE EMBEDMENT SHOWN ON TABLE 1, THIS SHEET. NARROW JOINT SEALANT IS USED ON ALL FOUR CORNERS OF THE FRAME. EXTERIOR INSTALLATION ANCHORS SHOULD BE SEALED. OVERALL SEALING/FLASHING STRATEGY FOR WATER RESISTANCE OF INSTALLATION SHALL BE DONE BY OTHERS AND IS BEYOND THE SCOPE OF THESE INSTRUCTIONS.

7) SHIMS ARE REQUIRED AT EACH ANCHOR LOCATION WHERE THE PRODUCT IS NOT FLUSH TO THE SUBSTRATE. USE SHIMS CAPABLE OF TRANSFERRING APPLIED LOADS. WOOD BUCKS, BY OTHERS, MUST BE SUFFICIENTLY ANCHORED TO RESIST LOADS IMPOSED ON THEM BY THE DOOR, SIDELITE OR TRANSOM.

8) DESIGN PRESSURES:

A. NEGATIVE DESIGN LOADS BASED ON STRUCTURAL TEST PRESSURE, FRAME ANALYSIS AND GLASS PER ASTM E1300.

B. POSITIVE DESIGN LOADS BASED ON WATER TEST PRESSURE, STRUCTURAL TEST PRESSURE, FRAME ANALYSIS AND GLASS PER ASTM E1300.

8) THE ANCHORAGE METHODS SHOWN HAVE BEEN DESIGNED TO RESIST THE WINDLOADS CORRESPONDING TO THE REQUIRED DESIGN PRESSURE. THE 33-1/3% STRESS INCREASE HAS NOT BEEN USED IN THE DESIGN OF THIS PRODUCT. THE 1.6 LOAD DURATION FACTOR WAS USED FOR THE EVALUATION OF ANCHORS INTO WOOD. ANCHORS THAT COME INTO CONTACT WITH OTHER DISSIMILAR MATERIALS SHALL MEET THE REQUIREMENTS OF THE FLORIDA BUILDING CODE FOR CORROSION RESISTANCE.

9) ALL RIGID AND CELLULAR PVC MANUFACTURED BY VISION EXTRUSIONS, LTD. HAS BEEN TESTED TO COMPLY WITH THE FLORIDA BUILDING CODE FOR PLASTICS.

10) SIZES MUST BE VERIFIED FOR COMPLIANCE WITH EGRESS REQUIREMENTS PER THE FLORIDA BUILDING CODE.

11) REFERENCES: TEST REPORTS FTL-7393, 7396, 7402, 7403, 7404 & 7418.

Product	Size	DP	Certification #
Mullion	96"	+/-70 psf	190-1010, 278
Door	38-3/4" x 96" (X) 76" x 96" (XX)	+/-70 psf	190-276, 277, 1009
Sidelite or Transom	40" x 111" 111" x 40"	+/-70 psf	190-274, 275, 1006, 1007

TABLE 1:

Group	Anchor	Substrate	Min. Edge Distance	Min. Embedment
A	3/16" Elco Ultracon	UngROUTED CMU, (ASTM C-90)	1"	1-1/4"
		UngROUTED CMU, (ASTM C-90)	2-1/2"	1-1/4"
B	#10 Steel SMS (G5) #10 410 S.S. SMS #10 18-8 S.S. SMS	P.T. Southern Pine (SG=0.55)	1/2"	1-3/8"
		Aluminum, 6063-T5*	5/16"	0.0713" (14 Ga)
		Steel, A36*	5/16"	0.056"
		Steel Stud, A653 Gr. 33*	5/16"	0.056" (16 Ga)
	3/16" Elco Ultracon	P.T. Southern Pine (SG=0.55)	1/2"	1-3/8"
		Grouted CMU, (ASTM C-90)	2-1/2"	2-1/4"
		Concrete (min. 2.85 ksi)	1"	1-3/8"
1/4" Elco Ultracon	UngROUTED CMU, (ASTM C-90)	2-1/2"	1-1/4"	
C	#12 Steel SMS (G5) #12 410 S.S. SMS #12 18-8 S.S. SMS	P.T. Southern Pine (SG=0.55)	9/16"	1-3/8"
		Aluminum, 6063-T5*	3/8"	0.0713" (14 Ga)
		Steel, A36*	3/8"	0.056"
		Steel Stud, A653 Gr. 33*	3/8"	0.056" (16 Ga)
	1/4" Elco Ultracon	P.T. Southern Pine (SG=0.55)	1"	1-3/8"
		Grouted CMU, (ASTM C-90)	2-1/2"	1-3/4"
		Concrete (min. 2.85 ksi)	1"	1-3/8"
	1/4" Elco 410 S.S. CreteFlex	Concrete (min. 3.35 ksi)	1"	1-3/4"
		UngROUTED CMU, (ASTM C-90)	2-1/2"	1-1/4"
		P.T. Southern Pine (SG=0.55)	1"	1-3/8"
	1/4" Elco 18-8 S.S. Aggre-Gator	Concrete (min. 3.27 ksi)	1-1/2"	1-3/8"
UngROUTED CMU, (ASTM C-90)		4"	1-1/4"	
Concrete (min. 2.85 ksi)		2-1/2"	1-3/8"	
D	1/4" Elco Ultracon	Concrete (min. 2.85 ksi)	2-1/2"	1-3/8"
	1/4" Elco410 S.S. CreteFlex	Concrete (min. 3.35 ksi)	2-1/2"	1-3/4"

* MIN. OF 3 THREADS BEYOND THE METAL SUBSTRATE.

TABLE 2:

Type #	Description	Where Used:
1	1-3/16" Lami. IG (1/8" T - 11/16" Air - 1/8" An - .090" PVB - 1/8" An)	Door
2	1-3/16" Lami. IG (3/16" T - 5/8" Air - 1/8" An - .090" PVB - 1/8" An)	
3	1-3/16" Lami. IG (1/8" T - 9/16" Air - 3/16" An - .090" SG - 3/16" An)	Sidelite & Transom (SLT/TR)
4	1-3/16" Lami. IG (3/16" T - 1/2" Air - 3/16" An - .090" SG - 3/16" An)	
5	1-3/16" Lami. IG (1/8" T - 9/16" Air - 3/16" An - .090" PVB - 3/16" An)	
6	1-3/16" Lami. IG (3/16" T - 1/2" Air - 3/16" An - .090" PVB - 3/16" An)	

SG = DUPONT SENTRYGLAS® INTERLAYER BY E.I. DUPONT DENEMOURS & CO., INC.

GUIDE TO SHEETS:

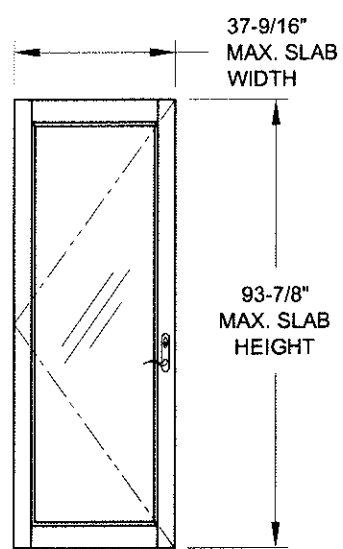
GENERAL NOTES.....	1
ELEVATIONS.....	2
GLAZING DETAILS.....	3
DESIGN PRESSURES.....	4-5
SIDELITE/TRANSOM ANCHORS.....	4-5
INSTALLATION.....	6-8
EXTRUSION PROFILES.....	9
PARTS LIST.....	10
CORNER DETAILS.....	10
HARDWARE DETAILS.....	11

Rev. 1	
Rev. 2	
Rev. 3	

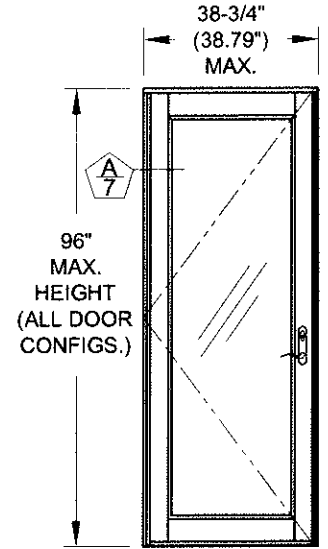
1070 TECHNOLOGY DRIVE N. VENICE, FL 34275 P.O. BOX 1529 NOKOMIS, FL 34274 (941)-480-1600		5/7/13	J ROSOWSKI	FPA-555.1
VINYL FRENCH DOOR AND SLT/TR		Date	By	No.
GENERAL NOTES		1 OF 11		
FD-555		Sheet		
NTS		Scale		

ANTHONY LYNN MILLER
LICENSE
No. 58705
A. LYNN MILLER, P.E.
P.E.# 58705

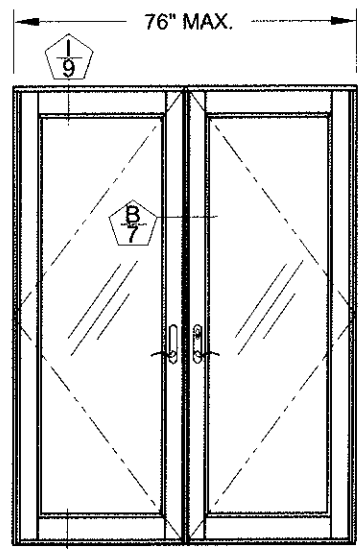
EXAMPLE CONFIGURATIONS



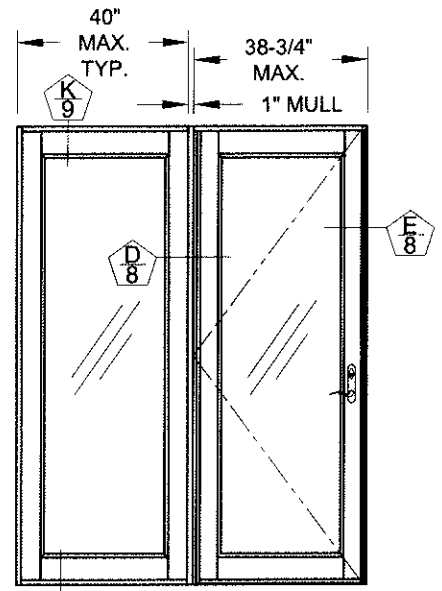
TYP. DOOR SLAB



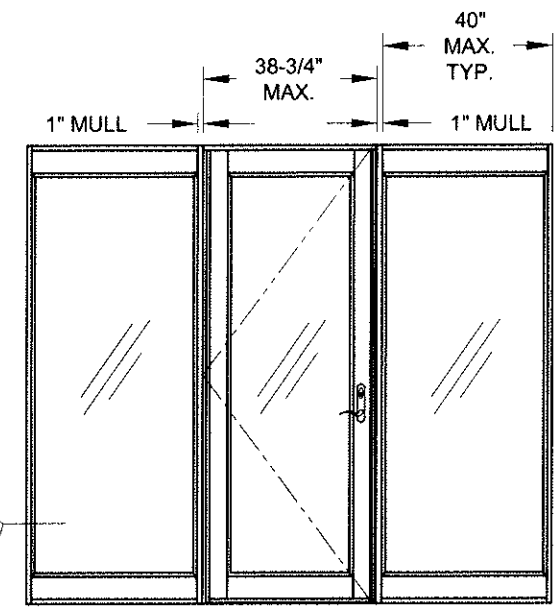
X



XX



O|X (SHOWN) OR X|O
(WIDE STILES AND WIDE RAILS SHOWN ON SIDELITES)



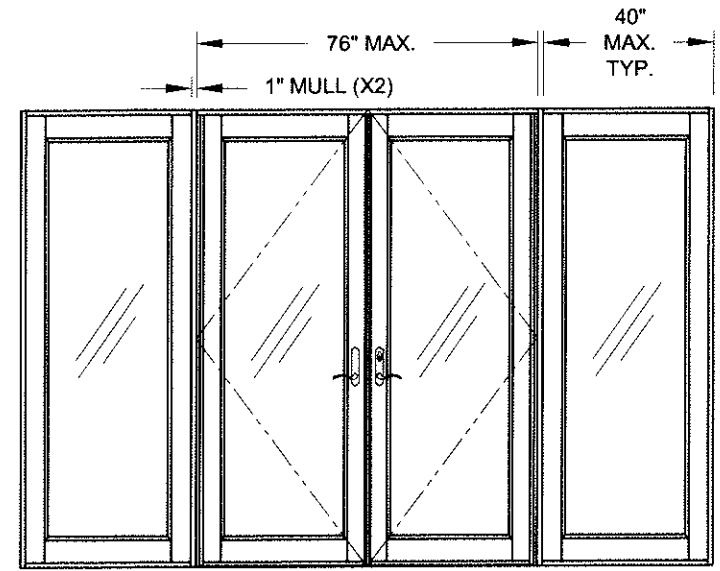
O|X|O
(NARROW STILES AND WIDE RAILS SHOWN ON SIDELITES)

DETAIL SHEET #

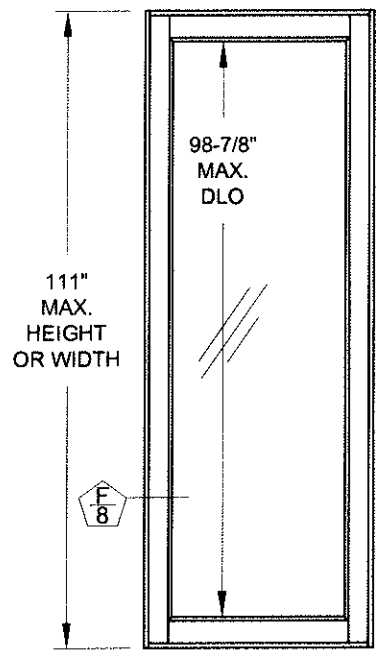
40" MAX. GLASS TYPES 3 & 4, 36" MAX. GLASS TYPES 5 & 6.

40" MAX. GLASS TYPES 3 & 4, 36" MAX. GLASS TYPES 5 & 6.

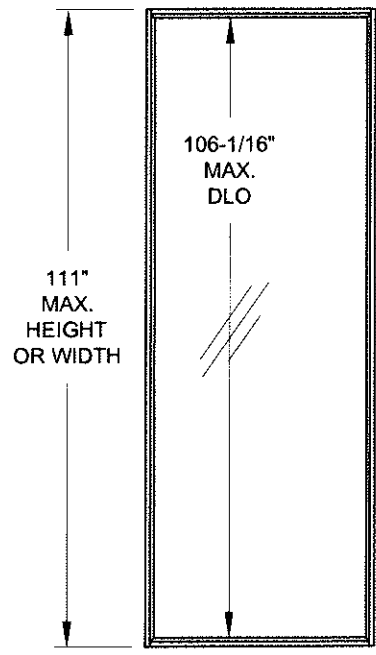
40" MAX. HORIZONTAL MULLION LENGTH



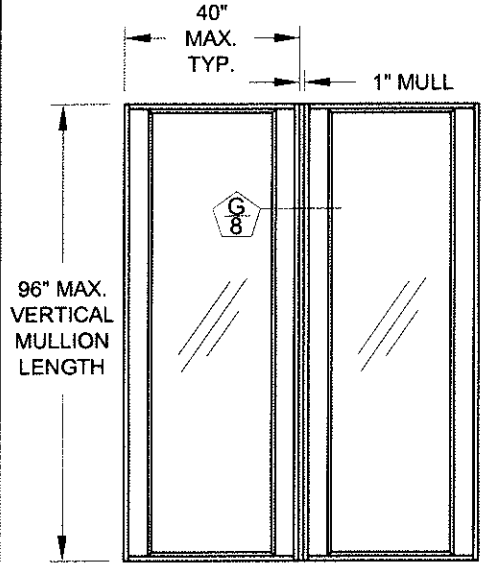
O|X|X|O
(WIDE STILES AND WIDE RAILS SHOWN ON SIDELITES)



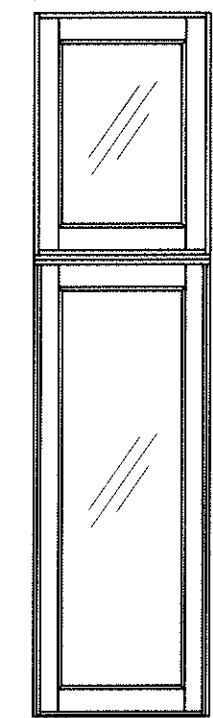
SINGLE O
(WIDE STILES AND WIDE RAILS SHOWN ON SIDELITES)



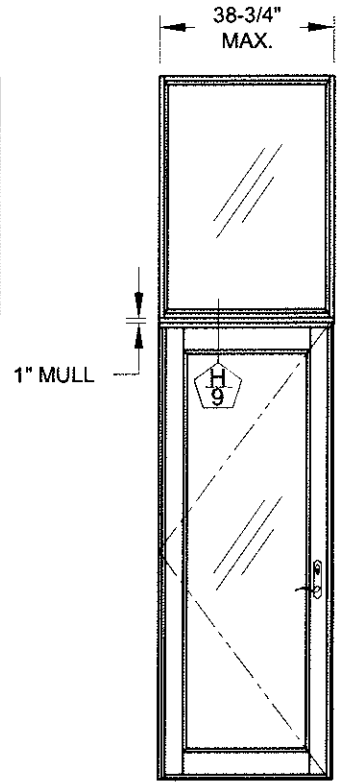
SINGLE O
(NARROW STILES AND NARROW RAILS SHOWN ON SIDELITES)



O|O (ADDITIONAL MULLED LITES ALLOWED)
(WIDE STILES AND NARROW RAILS SHOWN ON SIDELITES)



O|O WITH HORIZONTAL MULLION
(WIDE STILES AND WIDE RAILS SHOWN ON SIDELITE & TRANSOM)



O|X WITH HORIZONTAL MULLION
(NARROW STILES AND NARROW RAILS SHOWN ON TRANSOM)

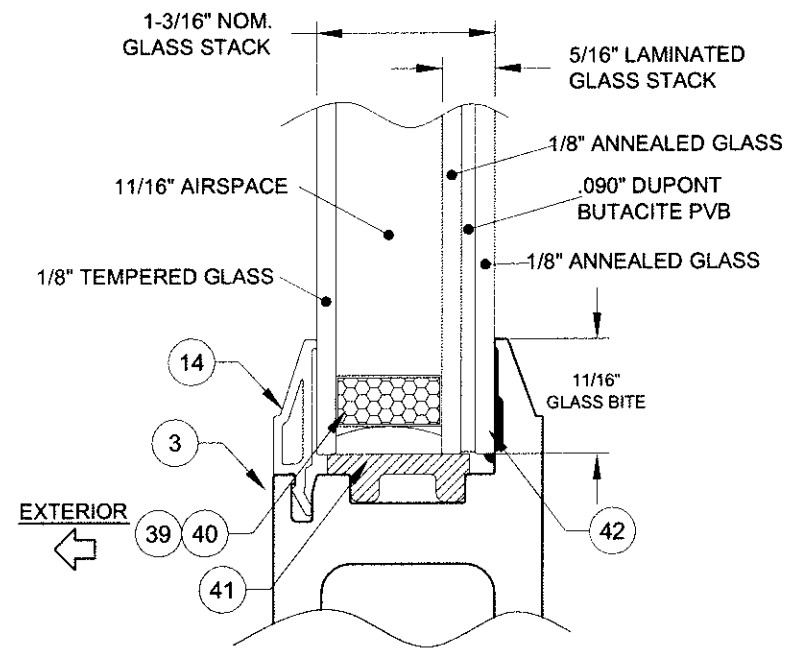
- NOTES:**
- 1) SINGLE DOORS MAY BE LEFT OR RIGHT-HANDED.
 - 2) MULLIONS SHOWN ARE STANDARD 1" FRENCH DOOR MULLIONS PER THIS NOA.
 - 3) MULLED CONFIGURATIONS NOT SHOWN MAY BE POSSIBLE USING OTHER MULLION TYPES, SEE SEPARATE NOA.
 - 4) FRENCH DOOR MULLION IS LIMITED TO 96" IN VERTICAL APPLICATIONS AND 40" IN HORIZONTAL APPLICATIONS.
 - 5) NARROW OR WIDE STILES AND RAILS MAY BE MIXED WITHIN THE SAME SLT/TR OR MULLED ASSEMBLY.
 - 6) ADDITIONAL CONFIGURATIONS USING THE 1" FRENCH DOOR MULLION ARE POSSIBLE. USE THE ABOVE DRAWINGS AS A REFERENCE FOR SIZE LIMITATIONS.

Rev. 3	Rev. 2	Rev. 1

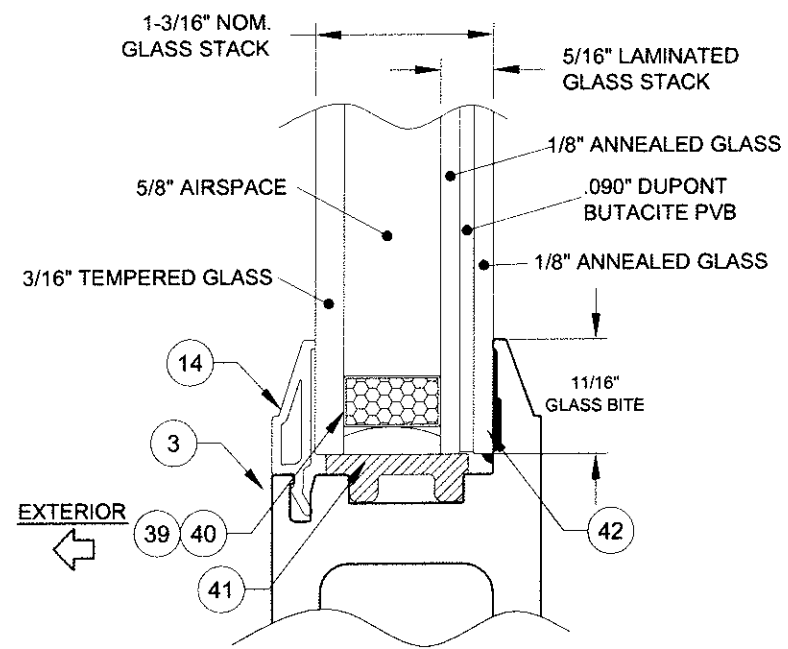
1070 TECHNOLOGY DRIVE N. VENICE, FL 34275 P.O. BOX 1529 NOKOMIS, FL 34274 (941)-480-1600	Date	5/7/13	Rev.	
	Drawn By	J ROSOWSKI	DWC No.	FPA-555.1
	Sheet	EXAMPLE CONFIGURATIONS	2 OF 11	
	Scale	NTS		
Series	FD-555			

ANTHONY LYNN MILLER
 LICENSE No. 58705
 STATE OF FLORIDA
 PROFESSIONAL ENGINEER
 A. LYNN MILLER, P.E.
 P.E.# 58705

**DOOR
GLAZING DETAILS**

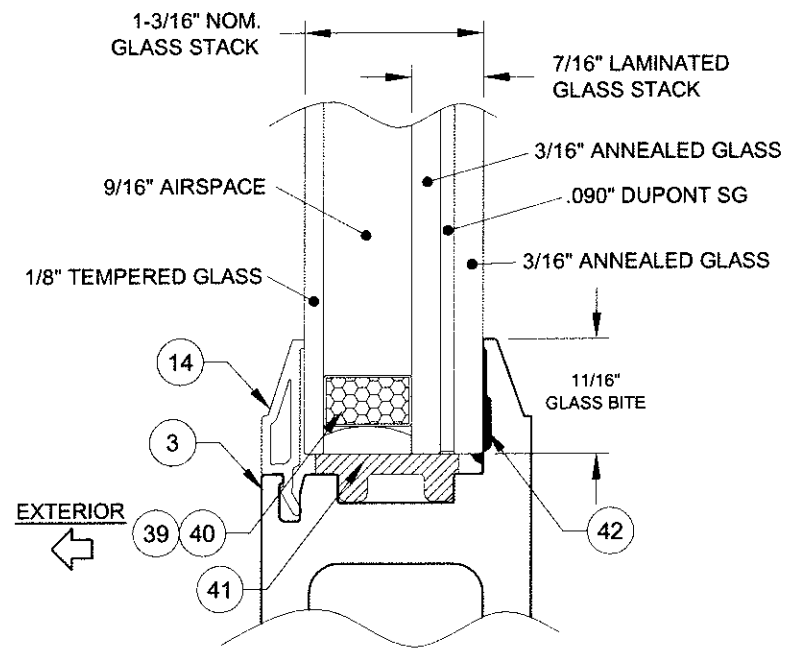


GLASS TYPE 1

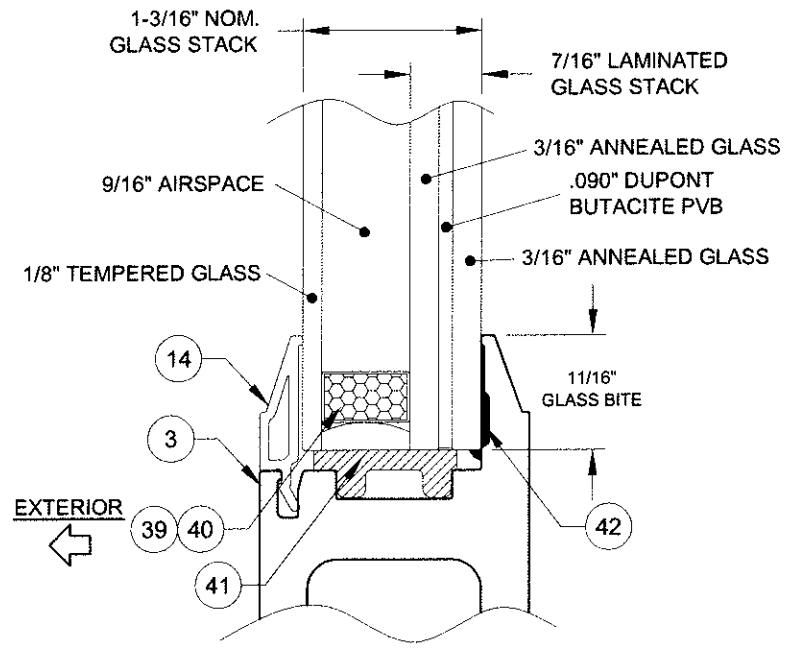


GLASS TYPE 2

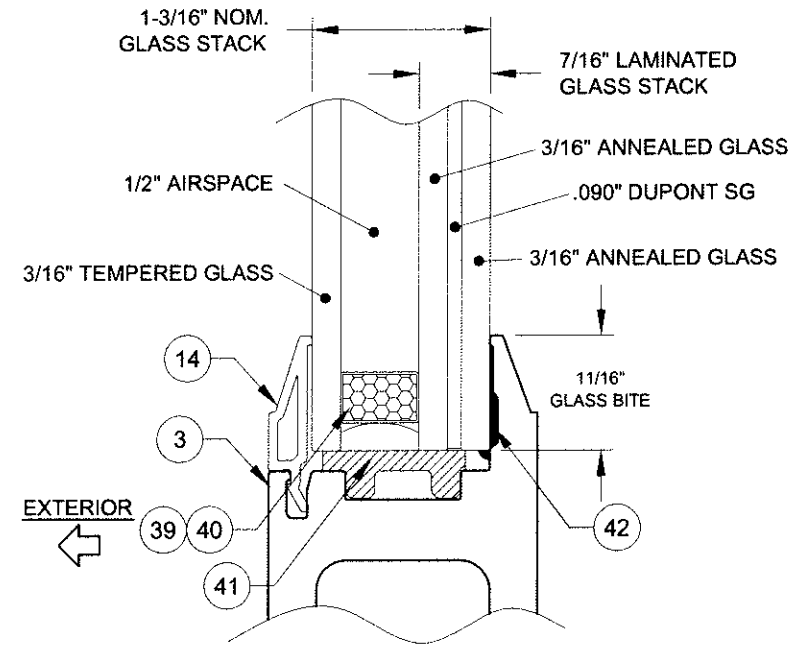
**SIDELITE & TRANSOM
GLAZING DETAILS**



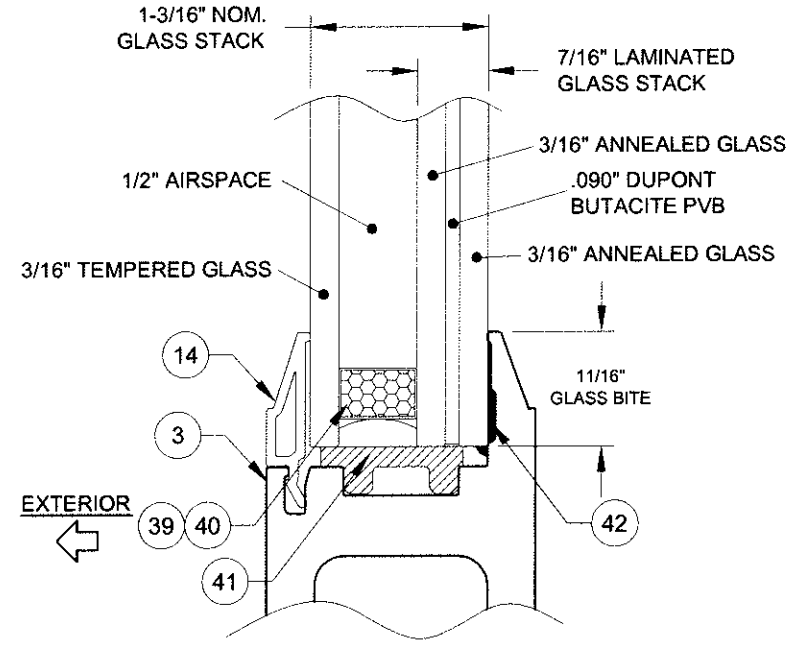
GLASS TYPE 3



GLASS TYPE 5



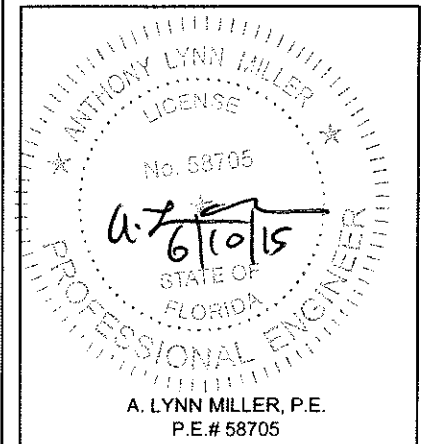
GLASS TYPE 4



GLASS TYPE 6

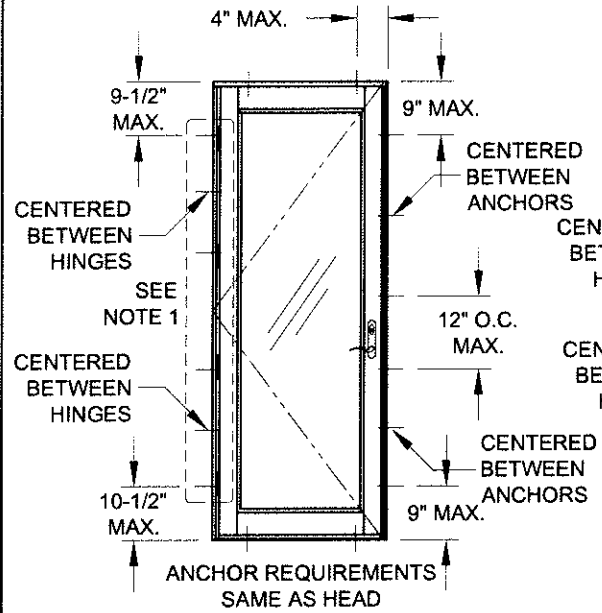
SG = DUPONT SENTRYGLAS® INTERLAYER BY E.I. DUPONT DENEMOURS & CO., INC.

1070 TECHNOLOGY DRIVE N. VENICE, FL 34275 P.O. BOX 1529 NOKOMIS, FL 34274 (941)-480-1600		Date	5/7/13	Rev.	
VINYL FRENCH DOOR AND SLT/RR		Drawn By	J ROSOWSKI	FPA-555.1	
GLAZING DETAILS		DWG No.	3 OF 11		
FD-555		Scale	NTS		
Sheet					

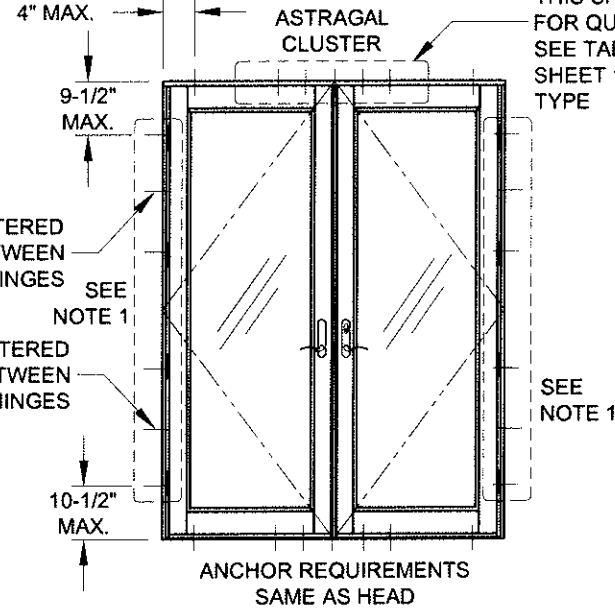


A. LYNN MILLER, P.E.
P.E.# 58705

SINGLE DOOR INSTALLATION (X)

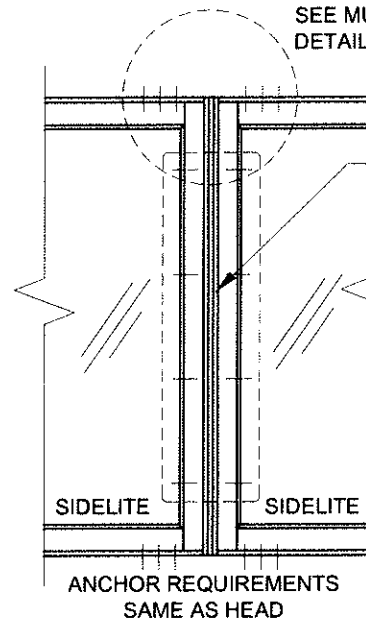


DOUBLE DOOR INSTALLATION (XX)



4" O.C. MIN., SEE TABLE 4, THIS SHEET, FOR QUANTITY, SEE TABLE 1, SHEET 1 FOR TYPE

SIDELITE-TO-SIDELITE MULLION INSTALLATION (O/O, O/O/O, ETC.)



SIDELITE-TO-DOOR MULLION INSTALLATION (X/O, O/X, X/X, O/X/O, X/O/X, O/XX/O, ETC)

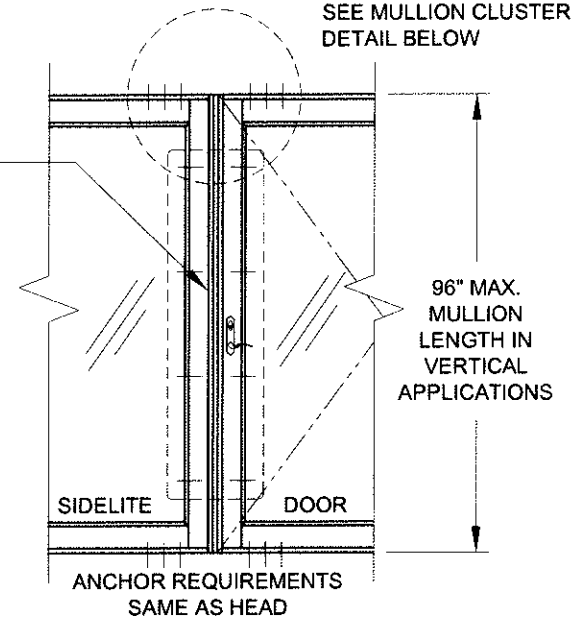


TABLE 5:
VERTICAL MULLION DESIGN PRESSURE

+/-70.0 PSF

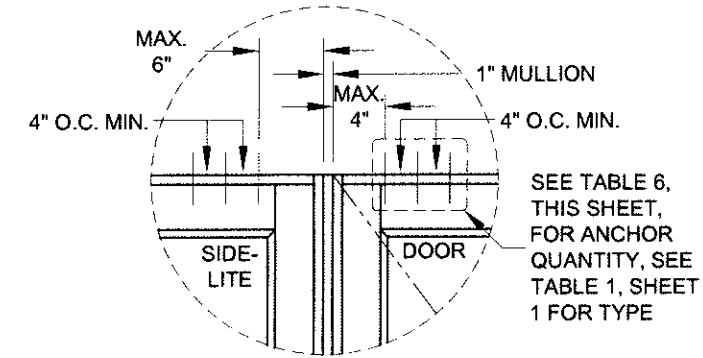
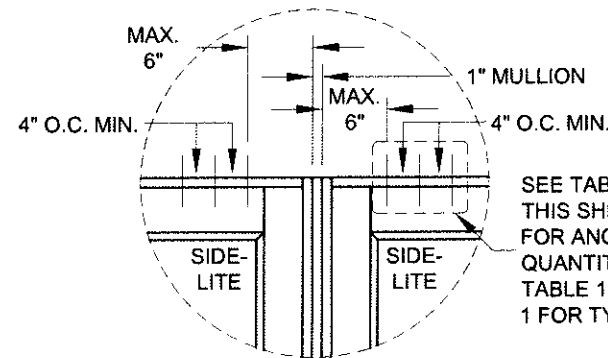


TABLE 3:
DOOR DESIGN PRESSURE

+/-50.0 PSF	Glass Type 1
+/-70.0 PSF	Glass Type 2

TABLE 4:
XX Door: Astragal Cluster Anchors Required @ Head & Sill

Door Height (in)	Door Width (in)							
	48		60		72		76	
	Anchor Group B-D	Anchor Group B	Anchor Group C&D	Anchor Group B	Anchor Group C&D	Anchor Group B	Anchor Group C	Anchor Group D
80	4	4	4	5	4	5	4	4
96	4	5	4	6	4	6	5	4

TABLE 6:
Anchors Required for a Vertical Mullion (each mullion end)

Mullion Height (in)	Door or Sidelite/Transom Width (in)											
	12		24		32		38-3/4		40			
	Anchor Group B-D	Anchor Group B&C	Anchor Group D	Anchor Group B	Anchor Group C	Anchor Group D	Anchor Group B	Anchor Group C	Anchor Group D	Anchor Group B	Anchor Group C	Anchor Group D
Door	N/A	2	1	2	2	1	3	2	1	N/A	N/A	N/A
SLT/TR	1	2	1	2	2	1	3	2	1	3	2	1
Door	N/A	2	1	3	2	1	3	2	2	N/A	N/A	N/A
SLT/TR	1	2	1	3	2	1	3	3	2	3	3	2

FOR "O/XX/O" AND SIMILAR CONFIGURATIONS CONTAINING A DOUBLE DOOR (XX), USE ONLY HALF OF THE FRAME WIDTH OF THE DOUBLE DOOR WHEN USING THIS TABLE.

TRANSOM-TO-DOOR (X/O) OR TRANSOM-TO-SIDELITE (O/O) MULLION ATTACHMENT & INSTALLATION

ATTACH DOORS, SIDELITES & TRANSOMS TO THE MULLION AS PER THE INSTRUCTION OF THE INDIVIDUAL PRODUCT

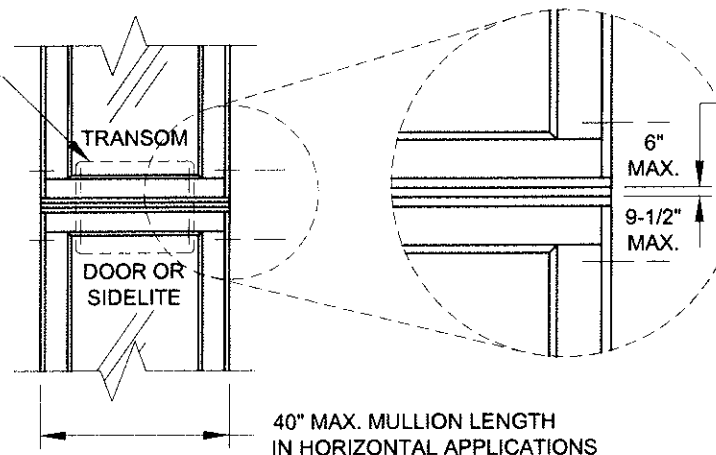


TABLE 7:
HORIZONTAL MULLION DESIGN PRESSURE

+/-70.0 PSF

INSTRUCTIONS:

- 1) DOOR HINGE JAMBS OF ALL HEIGHTS TO ALWAYS BE ANCHORED WITH SIX ANCHORS. SEE TABLE 1, SHEET 1, FOR ALL APPROVED ANCHORS. FOUR OF THE SIX ANCHORS MUST BE INSTALLED THROUGH THE HINGES, ONE AT EACH HINGE LOCATION (RECOMMENDED #10 FLATHEAD SMS OR 3/16" FLATHEAD ULTRACON FOR EACH HINGE ANCHOR).
- 2) FOR A MULLED UNIT, DETERMINE THE DESIGN PRESSURE OF EACH COMPONENT IN THAT CONFIGURATION. FOR EXAMPLE, ON AN "X/O" CONFIGURATION, THE DP FOR THE DOOR, THE MULLION AND THE SIDELITE MUST EACH BE DETERMINED. THE LOWEST DP APPLIES TO THE ENTIRE ASSEMBLY.

NOTES:

- 1) SINGLE DOOR MAY BE LEFT OR RIGHT-HANDED.
- 2) MULLIONS SHOWN ARE STANDARD 1" FRENCH DOOR MULLIONS.
- 3) MULLED CONFIGURATIONS NOT SHOWN MAY BE POSSIBLE USING OTHER MULLION TYPES, SEE SEPARATE NOA. THE LOWEST COMPONENT DP IS TO BE THE OVERALL ASSEMBLY DP.
- 4) FRENCH DOOR MULLION IS LIMITED TO 96" IN VERTICAL APPLICATIONS AND 40" IN HORIZONTAL APPLICATIONS.
- 5) NARROW OR WIDE STILES AND RAILS MAY BE MIXED WITHIN THE SAME SIDELITE/TRANSOM OR MULLED ASSEMBLY.
- 6) FOR SIZES NOT SHOWN, ROUND UP TO THE NEXT AVAILABLE SHORT OR LONG DIMENSION.

Rev. 1	
Rev. 2	
Rev. 3	

1070 TECHNOLOGY DRIVE
N. VENICE, FL 34275
P.O. BOX 1529
NOKOMIS, FL 34274
(941)-480-1600

CERT. OF AUTH. #29296

VINYL FRENCH DOOR AND SLT/TR

DESIGN PRESSURE 1

DATE: 5/7/13

BY: J ROSOWSKI

NO. 4 OF 11

SHEET NTS

FD-555

FPA-555.1

ANTHONY LYNN MILLER
LICENSE
No. 58705
6/10/15
STATE OF FLORIDA
PROFESSIONAL ENGINEER

A. LYNN MILLER, P.E.
P.E.# 58705

SIDELITE/TRANSOM INSTALLATION (O)

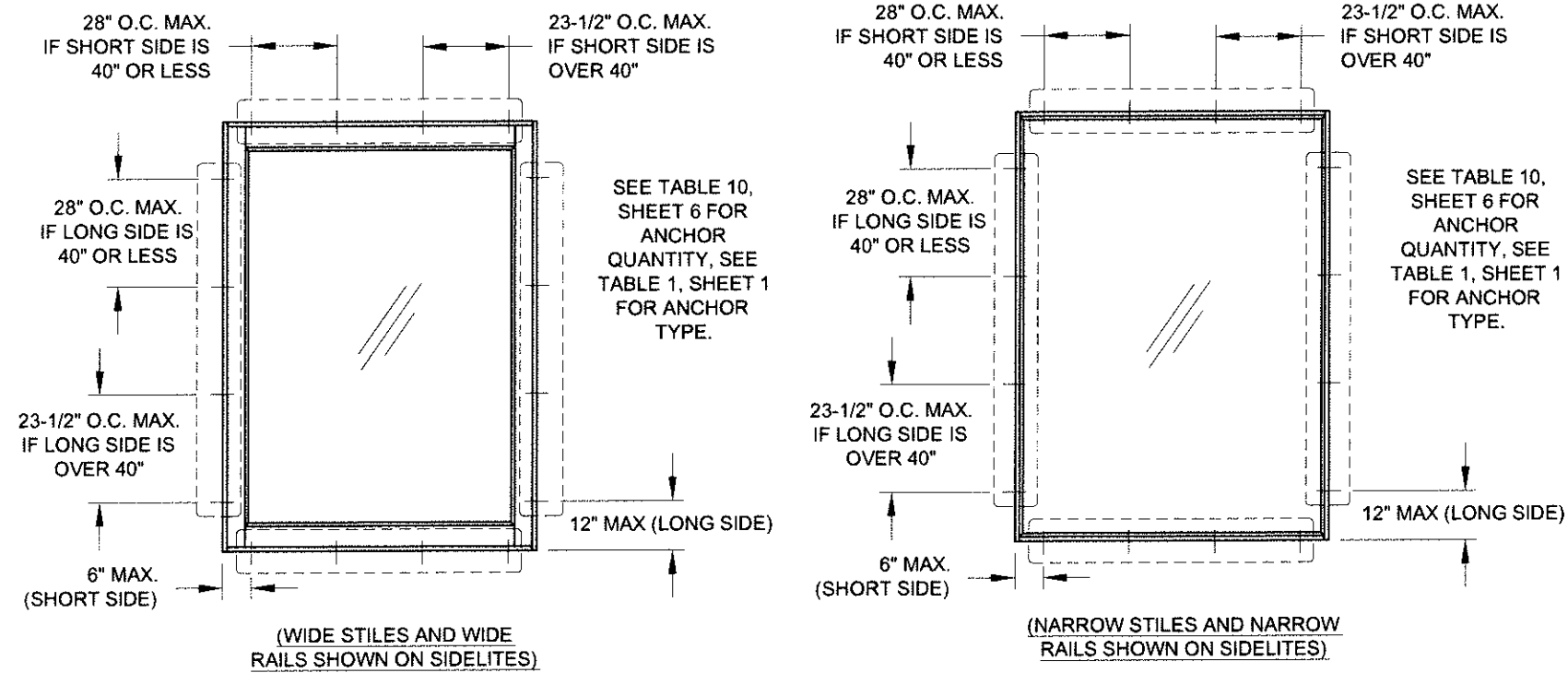


TABLE 8:

WINDOW DESIGN PRESSURE	
+/-70.0 PSF	All Glass Types

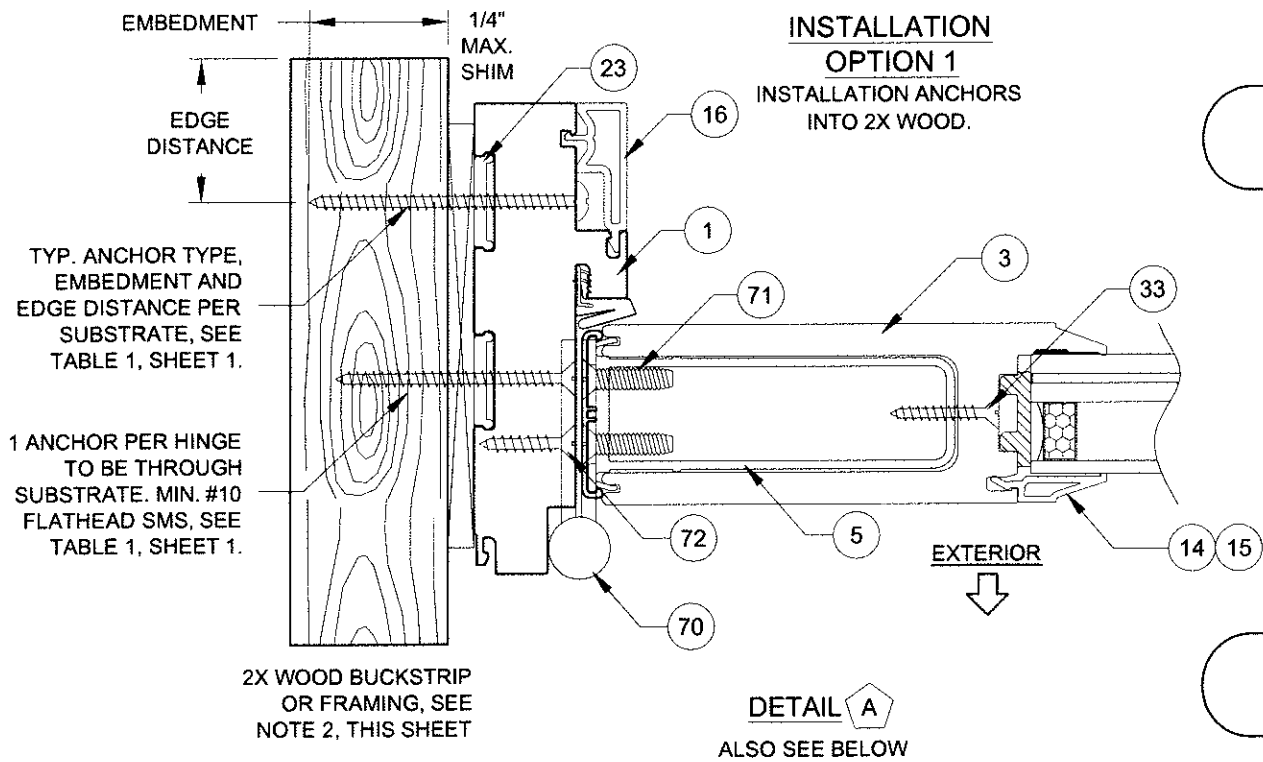
- NOTES:**
- 1) NARROW OR WIDE STILES AND RAILS MAY BE MIXED WITHIN THE SAME SIDELITE/TRANSOM OR MULLED ASSEMBLY.
 - 2) SIDELITE/TRANSOM MAY BE A SINGLE, STAND-ALONE UNIT.
 - 3) FOR SIZES NOT SHOWN, ROUND UP TO THE NEXT AVAILABLE SHORT OR LONG DIMENSION.

TABLE 9:

		Sidelite/Transom Anchor Quantity																															
		Long Side (in)																															
		63-3/16		66-5/8		68		70		72		76		78		82		84		88		92		96		98		104		108		111	
Anchor Group A	Anchor Groups B-D	Anchor Group A	Anchor Groups B-D	Anchor Group A	Anchor Groups B-D	Anchor Group A	Anchor Groups B-D	Anchor Group A	Anchor Groups B-D	Anchor Group A	Anchor Groups B-D	Anchor Group A	Anchor Groups B-D	Anchor Group A	Anchor Groups B-D	Anchor Group A	Anchor Groups B-D	Anchor Group A	Anchor Groups B-D	Anchor Group A	Anchor Groups B-D	Anchor Group A	Anchor Groups B-D	Anchor Group A	Anchor Groups B-D	Anchor Group A	Anchor Groups B-D	Anchor Group A	Anchor Groups B-D	Anchor Group A	Anchor Groups B-D		
Short Side (in)	24	Short Side	2	2	2	2	2	2	2	2	2	2	2	2	2	2	2	2	2	2	2	2	2	2	2	2	2	2	2	2	2		
		Long Side	4	4	4	4	4	4	4	4	4	4	4	4	4	4	4	4	5	5	5	5	5	5	5	5	5	6	5	5	6	6	6
	28	Short Side	2	2	2	2	2	2	2	2	2	2	2	2	2	2	2	2	2	2	2	2	2	2	2	2	2	2	2	2	2	2	2
		Long Side	4	4	4	4	4	4	4	4	4	4	4	4	4	4	4	4	5	4	5	5	5	5	5	5	6	5	5	7	6	7	6
	32	Short Side	2	2	2	2	2	2	2	2	2	2	2	2	2	2	2	2	2	2	2	2	2	2	2	2	2	2	2	2	2	2	2
		Long Side	4	4	4	4	4	4	4	4	4	5	4	5	4	5	4	6	5	6	5	6	5	7	5	7	5	7	5	5	7	6	8
	36	Short Side	2	2	2	2	2	2	2	2	2	2	2	2	2	2	2	2	2	2	2	2	2	2	2	2	2	2	2	2	2	2	2
		Long Side	4	4	5	4	5	4	5	4	5	4	5	4	5	4	6	4	6	5	6	5	7	5	7	5	8	5	5	7	6	8	6
	38-3/4	Short Side	2	2	2	2	2	2	2	2	2	2	2	2	2	2	2	2	2	2	2	2	2	2	2	2	2	2	2	2	2	2	2
		Long Side	4	4	5	4	5	4	5	4	5	4	6	4	6	4	6	4	6	5	7	5	7	5	8	5	8	5	5	8	6	9	6
	40	Short Side	2	2	2	2	2	2	2	2	2	2	2	2	2	2	2	2	2	2	2	2	2	2	2	2	2	2	2	2	2	2	2
		Long Side	4	4	5	4	5	4	5	4	5	4	6	4	6	4	6	4	6	5	7	5	7	5	8	5	8	5	5	9	6	9	6

		CERT. OF AUTH. #29296 VINYL FRENCH DOOR AND SLT/TR SLT/TR ANCHOR QUANTITIES		Date: 5/7/13 Drawn By: J ROSOWSKI No. DMC: 5 OF 11 Scale: NTS Series: FD-555	Rev. 1 Rev. 2 Rev. 3
1070 TECHNOLOGY DRIVE N. VENICE, FL 34275 P.O. BOX 1529 NOKOMIS, FL 34274 (941)-480-1600		FPA-555.1		5 OF 11	

A. LYNN MILLER, P.E.
P.E.# 58705

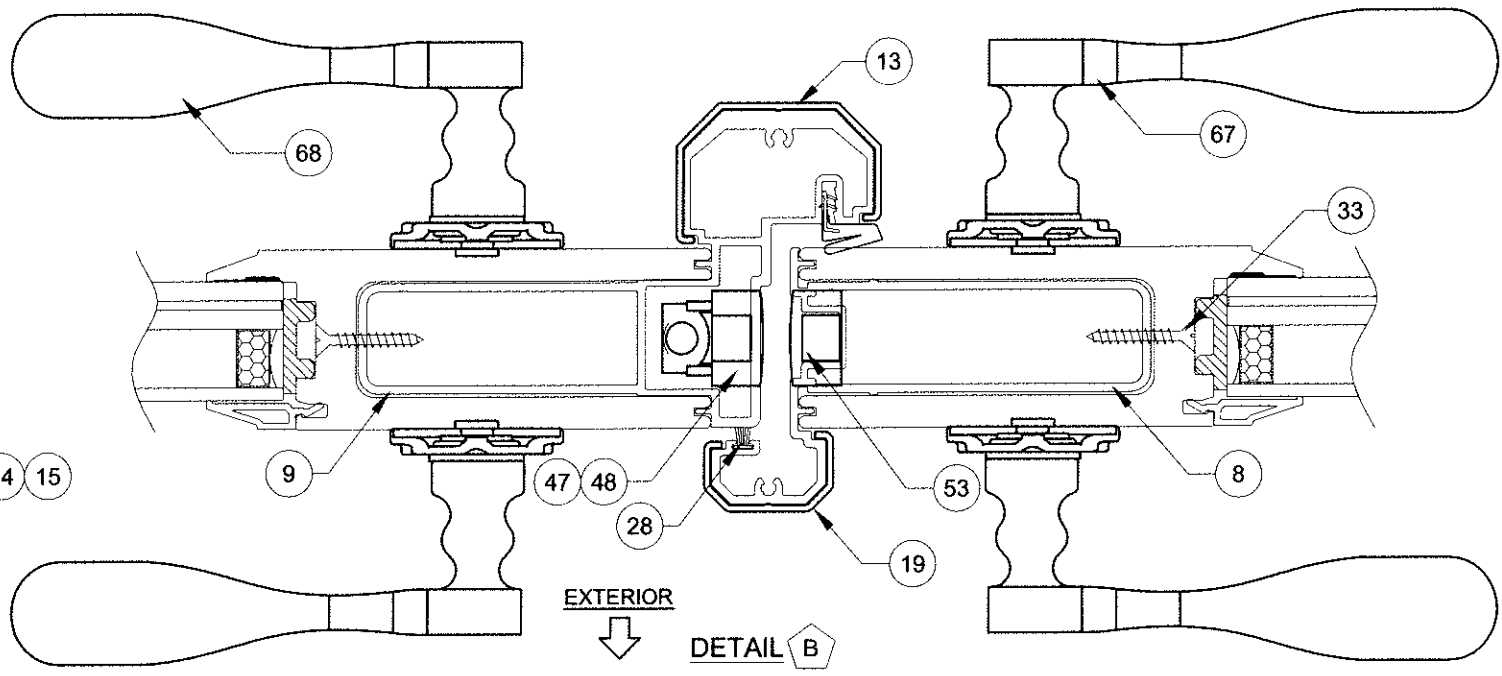


TYP. ANCHOR TYPE, EMBEDMENT AND EDGE DISTANCE PER SUBSTRATE, SEE TABLE 1, SHEET 1.

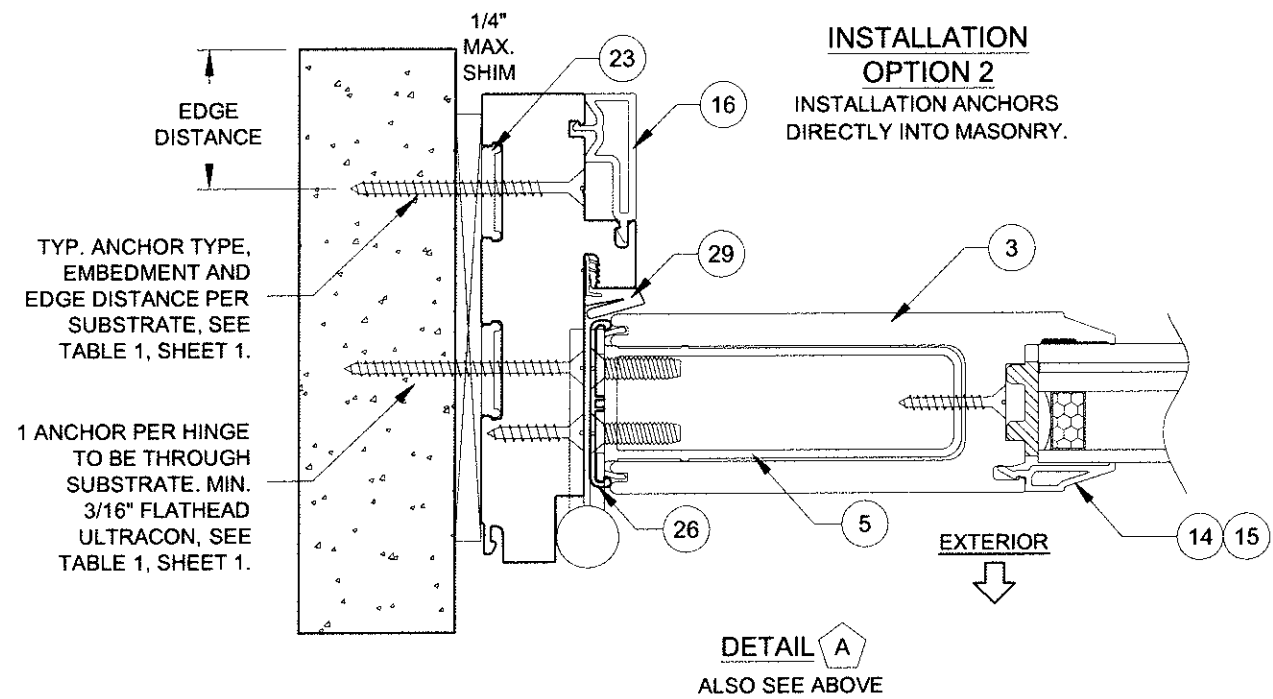
1 ANCHOR PER HINGE TO BE THROUGH SUBSTRATE. MIN. #10 FLATHEAD SMS. SEE TABLE 1, SHEET 1.

2X WOOD BUCKSTRIP OR FRAMING, SEE NOTE 2, THIS SHEET

DETAIL A
ALSO SEE BELOW



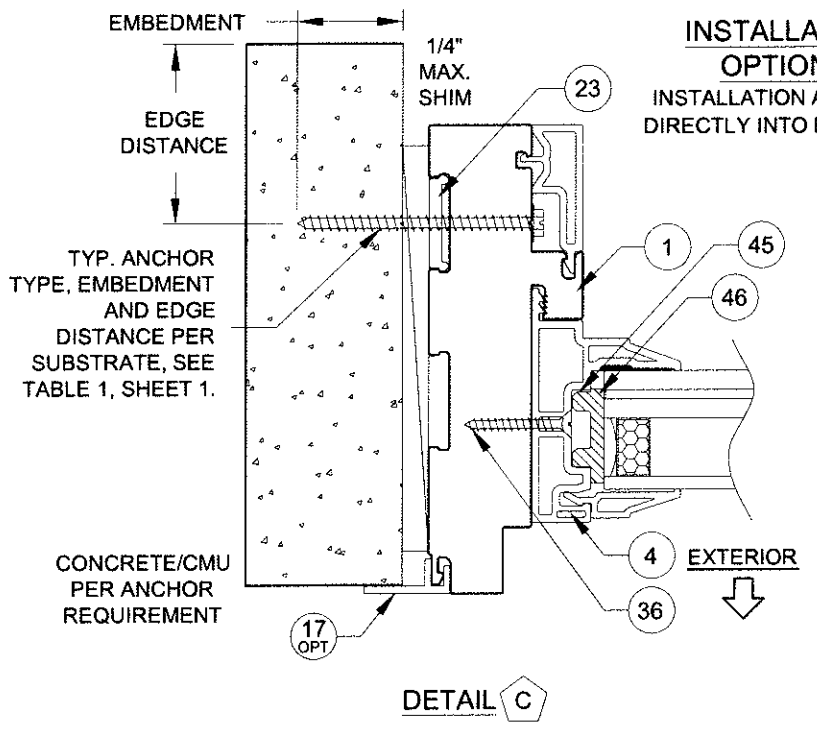
DETAIL B



TYP. ANCHOR TYPE, EMBEDMENT AND EDGE DISTANCE PER SUBSTRATE, SEE TABLE 1, SHEET 1.

1 ANCHOR PER HINGE TO BE THROUGH SUBSTRATE. MIN. 3/16\"/>

DETAIL A
ALSO SEE ABOVE



TYP. ANCHOR TYPE, EMBEDMENT AND EDGE DISTANCE PER SUBSTRATE, SEE TABLE 1, SHEET 1.

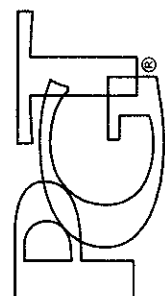
CONCRETE/CMU PER ANCHOR REQUIREMENT

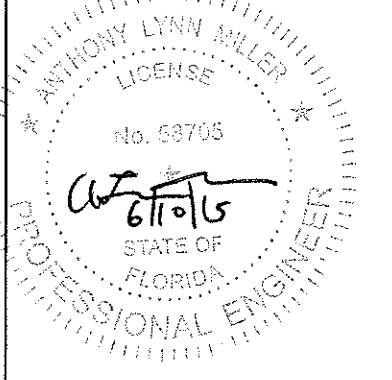
DETAIL C

INSTALLATION NOTES:

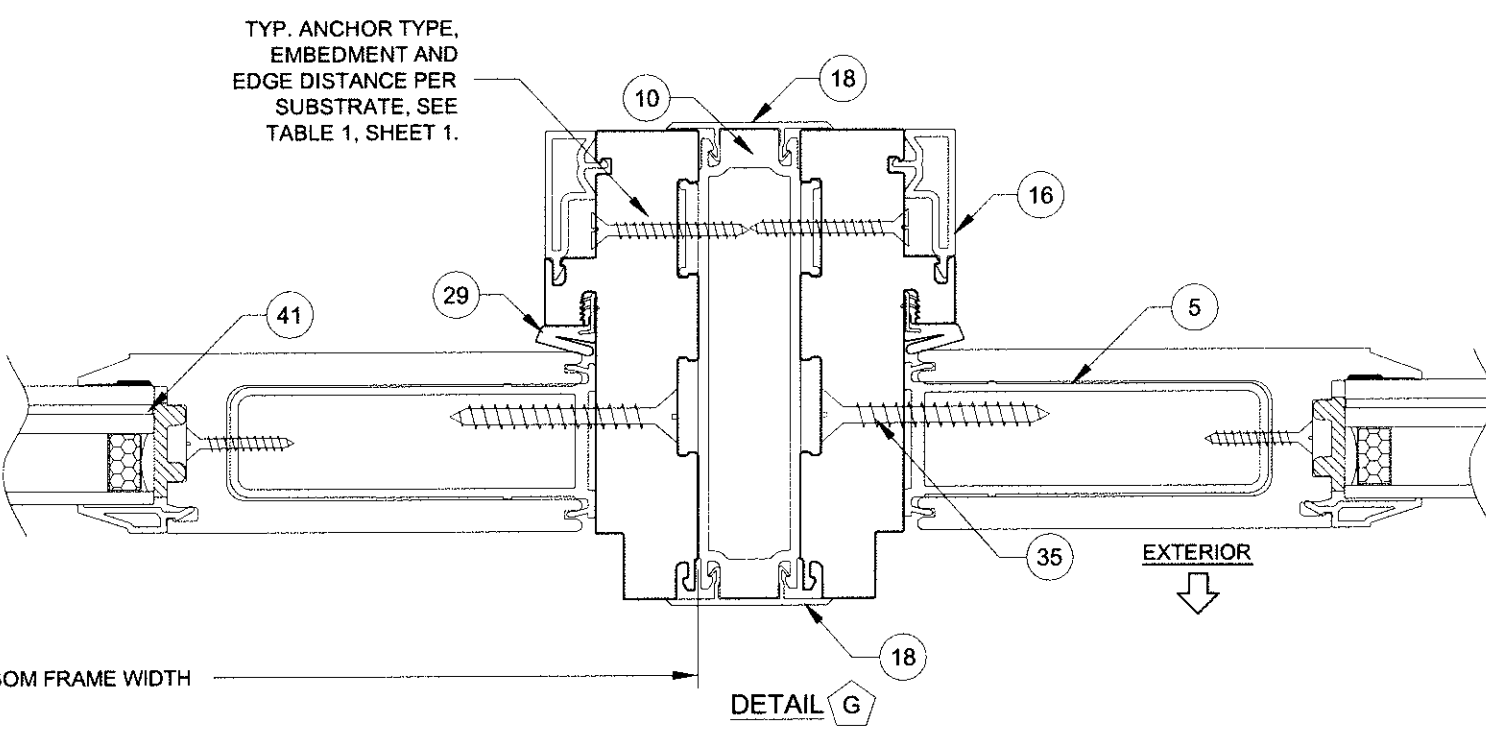
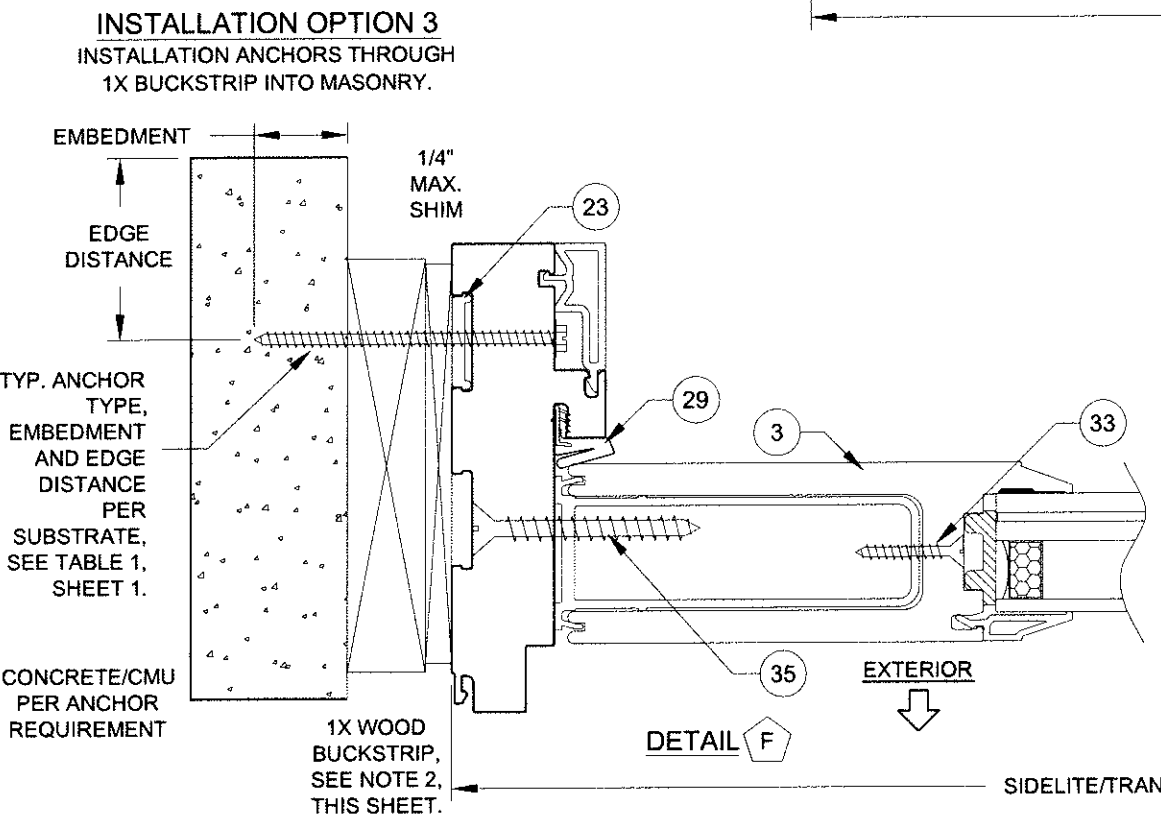
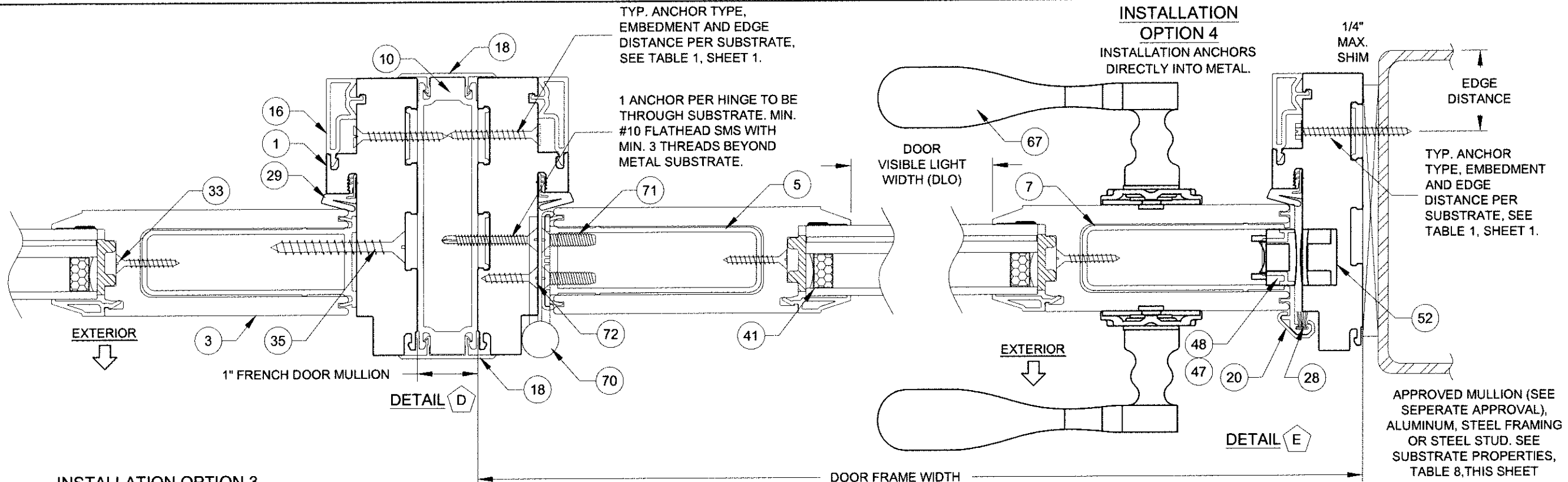
- 1) USE ONLY SUBSTRATE-APPROPRIATE ANCHORS LISTED ON TABLE 1, SHEET 1. FOLLOW EMBEDMENT AND EDGE DISTANCE LIMITS. ANY INSTALLATION OPTION SHOWN MAY BE USED ON ANY SIDE OF THE DOOR, SIDELITE OR TRANSOM.
- 2) WOOD BUCKS DEPICTED ON THIS SHEET AS "1X", ARE BUCKS WHOSE TOTAL THICKNESS IS LESS THAN 1-1/2". 1X WOOD BUCKS ARE OPTIONAL IF UNIT CAN BE INSTALLED DIRECTLY TO MASONRY. WOOD BUCKS DEPICTED AS "2X" ARE 1-1/2" THICK OR GREATER. INSTALLATION TO THE SUBSTRATE OF WOOD BUCKS TO BE ENGINEERED BY OTHERS OR AS APPROVED BY THE AUTHORITY HAVING JURISDICTION.
- 3) FOR ATTACHMENT TO METAL: THE STRUCTURAL MEMBER SHALL BE OF A SIZE TO PROVIDE FULL SUPPORT TO THE FRAME OF THE DOOR, SIDELITE OR TRANSOM.
- 4) IF APPLICABLE, LOWEST DESIGN PRESSURE FROM DOOR, SIDELITE, TRANSOM OR MULLION APPLIES TO THE WHOLE SYSTEM.

Rev. 1	
Rev. 2	
Rev. 3	

1070 TECHNOLOGY DRIVE N. VENICE, FL 34275 P.O. BOX 1529 NOKOMIS, FL 34274 (941)-480-1600	Date 5/7/13	By J ROSOWSKI	No. FPA-555.1
 CERT. OF AUTH. #29296 VINYL FRENCH DOOR AND SLT/TR INSTALLATION 1	Sheet 6 OF 11	Scale NTS	Series FD-555
	VINYL FRENCH DOOR AND SLT/TR INSTALLATION 1		



A. LYNN MILLER, P.E.
P.E.# 58705



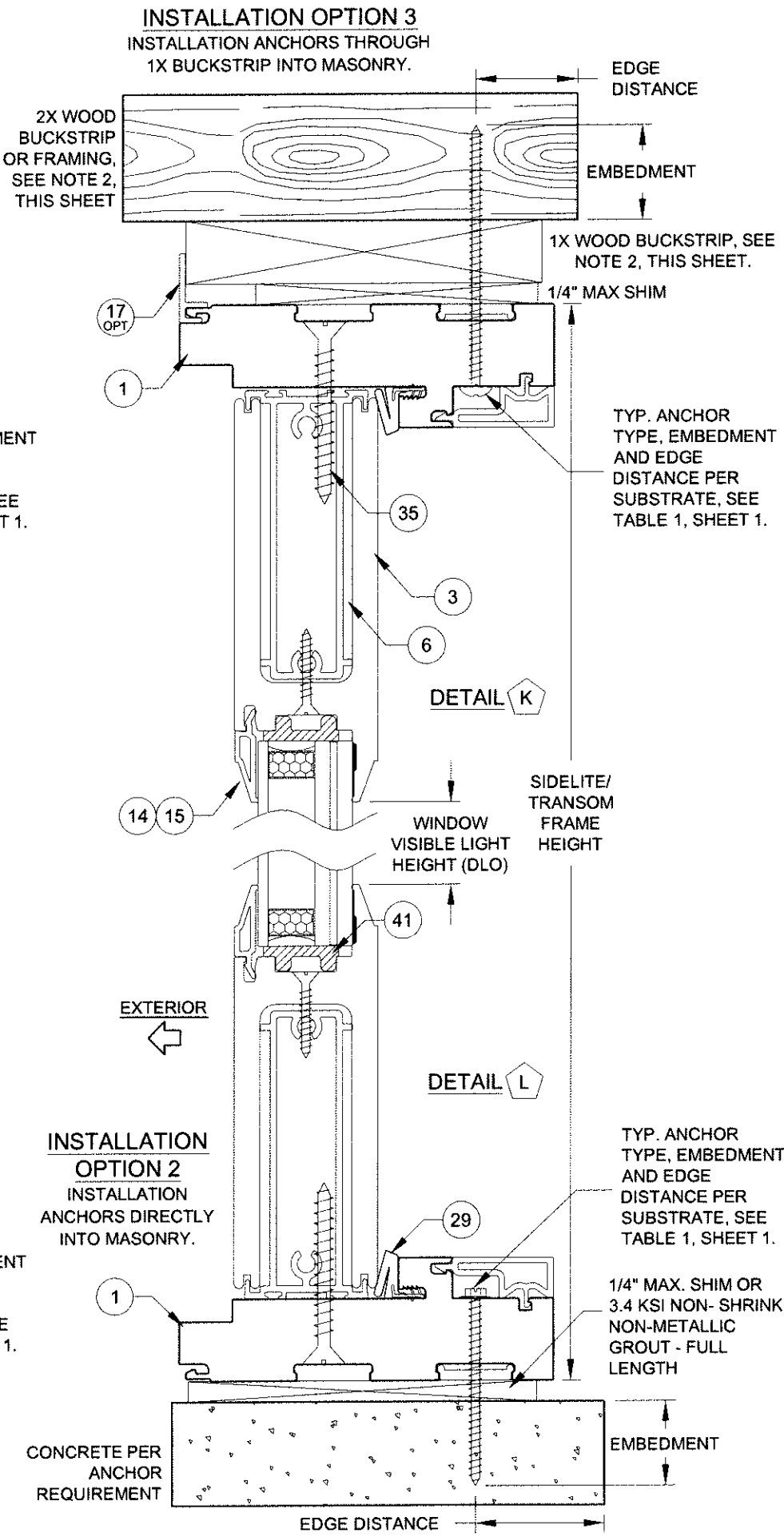
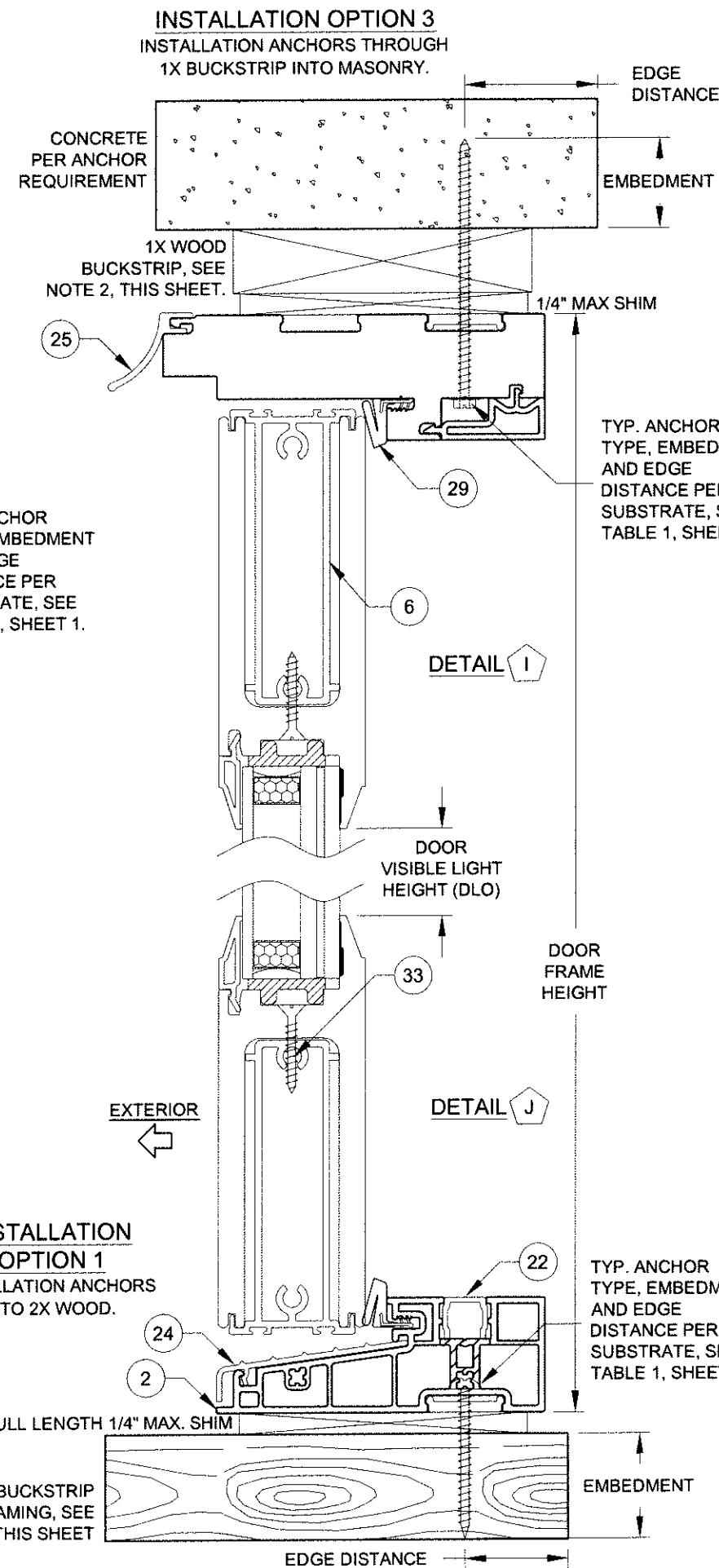
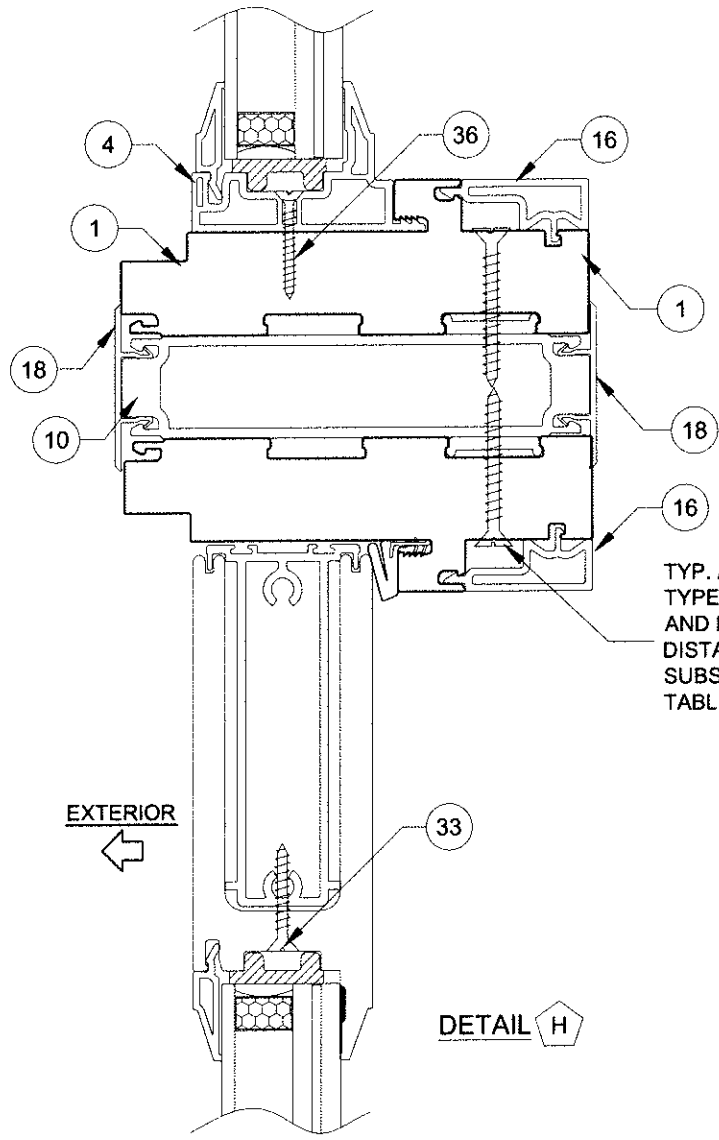
INSTALLATION NOTES:

- 1) USE ONLY SUBSTRATE-APPROPRIATE ANCHORS LISTED ON TABLE 1, SHEET 1. FOLLOW EMBEDMENT AND EDGE DISTANCE LIMITS. ANY INSTALLATION OPTION SHOWN MAY BE USED ON ANY SIDE OF THE DOOR, SIDELITE OR TRANSOM.
- 2) WOOD BUCKS DEPICTED ON THIS SHEET AS "1X", ARE BUCKS WHOSE TOTAL THICKNESS IS LESS THAN 1-1/2". 1X WOOD BUCKS ARE OPTIONAL IF UNIT CAN BE INSTALLED DIRECTLY TO MASONRY. WOOD BUCKS DEPICTED AS "2X" ARE 1-1/2" THICK OR GREATER. INSTALLATION TO THE SUBSTRATE OF WOOD BUCKS TO BE ENGINEERED BY OTHERS OR AS APPROVED BY THE AUTHORITY HAVING JURISDICTION.
- 3) FOR ATTACHMENT TO METAL: THE STRUCTURAL MEMBER SHALL BE OF A SIZE TO PROVIDE FULL SUPPORT TO THE FRAME OF THE DOOR, SIDELITE OR TRANSOM.
- 4) IF APPLICABLE, LOWEST DESIGN PRESSURE FROM DOOR, SIDELITE, TRANSOM OR MULLION APPLIES TO THE WHOLE SYSTEM.

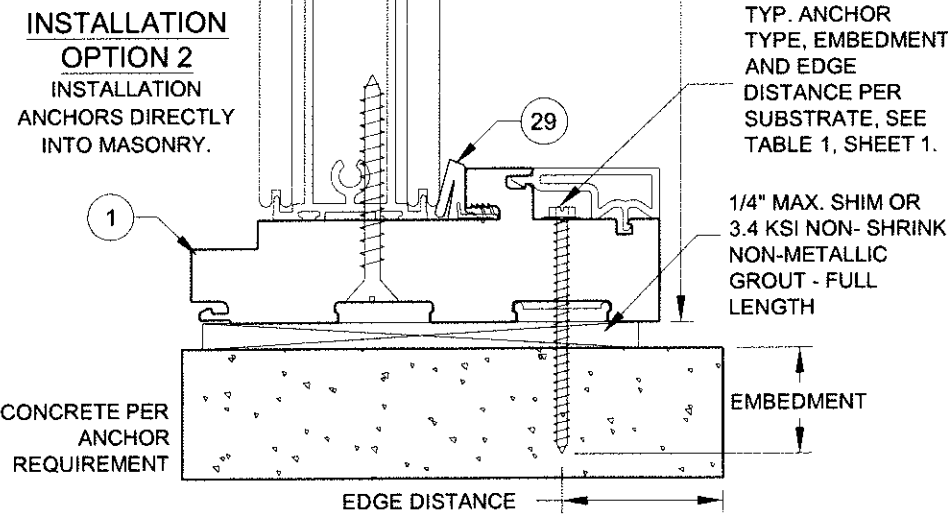
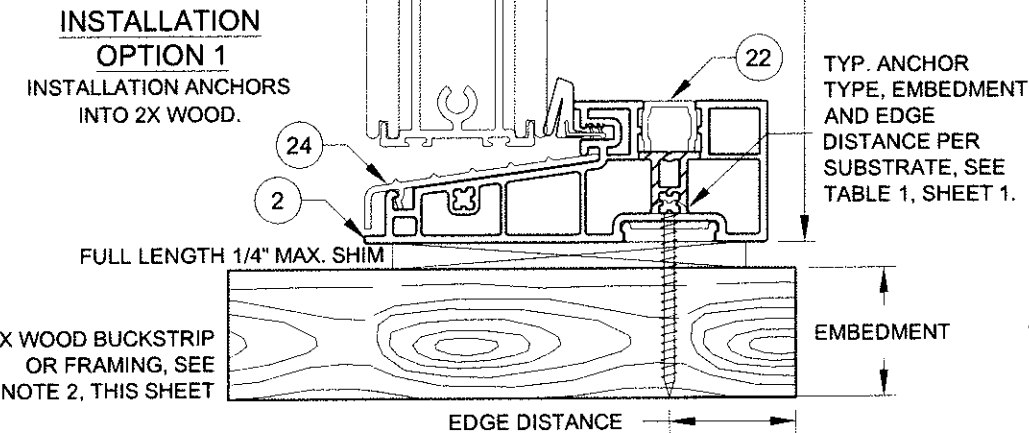
Rev. 3	Rev. 2	Rev. 1

1070 TECHNOLOGY DRIVE N. VENICE, FL 34275 P.O. BOX 1529 NOKOMIS, FL 34274 (941)-480-1600	Date	5/7/13	Rev.	
	Drawn By	J ROSOWSKI	No.	FPA-555.1
VINYL FRENCH DOOR AND SLT/TR INSTALLATION 2	DWG	7 OF 11	Sheet	
	Series	FD-555	Scale	NTS

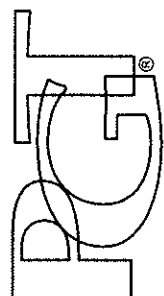
ANTHONY LYNN MILLER
 LICENSE
 No. 58705
 STATE OF FLORIDA
 PROFESSIONAL ENGINEER
 A. LYNN MILLER, P.E.
 P.E.# 58705



- INSTALLATION NOTES:**
- 1) USE ONLY SUBSTRATE-APPROPRIATE ANCHORS LISTED ON TABLE 1, SHEET 1. FOLLOW EMBEDMENT AND EDGE DISTANCE LIMITS. ANY INSTALLATION OPTION SHOWN MAY BE USED ON ANY SIDE OF THE DOOR, SIDELITE OR TRANSOM.
 - 2) WOOD BUCKS DEPICTED ON THIS SHEET AS "1X", ARE BUCKS WHOSE TOTAL THICKNESS IS LESS THAN 1-1/2". 1X WOOD BUCKS ARE OPTIONAL IF UNIT CAN BE INSTALLED DIRECTLY TO MASONRY. WOOD BUCKS DEPICTED AS "2X" ARE 1-1/2" THICK OR GREATER. INSTALLATION TO THE SUBSTRATE OF WOOD BUCKS TO BE ENGINEERED BY OTHERS OR AS APPROVED BY THE AUTHORITY HAVING JURISDICTION.
 - 3) FOR ATTACHMENT TO METAL: THE STRUCTURAL MEMBER SHALL BE OF A SIZE TO PROVIDE FULL SUPPORT TO THE FRAME OF THE DOOR, SIDELITE OR TRANSOM.
 - 4) IF APPLICABLE, LOWEST DESIGN PRESSURE FROM DOOR, SIDELITE, TRANSOM OR MULLION APPLIES TO THE WHOLE SYSTEM.

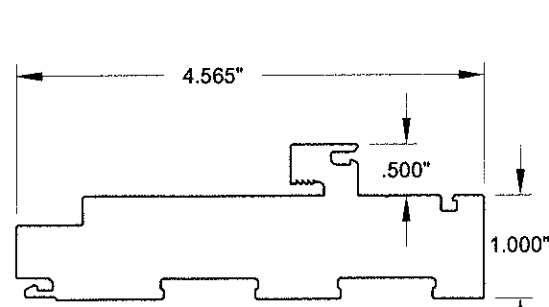


Rev. 3	Rev. 2	Rev. 1
--------	--------	--------

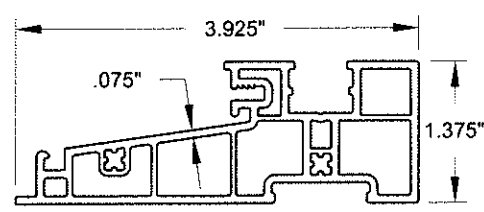
1070 TECHNOLOGY DRIVE N. VENICE, FL 34275 P.O. BOX 1529 NOKOMIS, FL 34274 (941)-480-1600		Date	5/7/13	Rev.	
 CERT. OF AUTH. #29296		Drawn By	J ROSOWSKI	Series	FPA-555.1
		Scale	NTS	Sheet	8 OF 11
VINYL FRENCH DOOR AND SLT/TR		DWG No.			
INSTALLATION 3					

ANTHONY LYNN MILLER
LICENSE
No. 58705
6/10/15
STATE OF FLORIDA
PROFESSIONAL ENGINEER

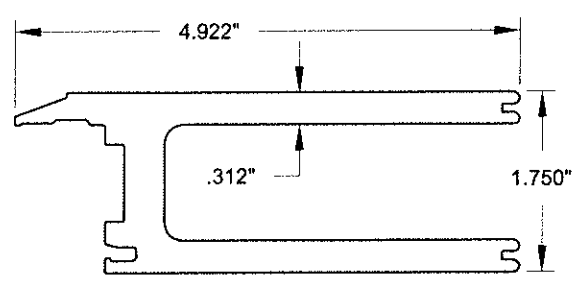
A. LYNN MILLER, P.E.
P.E.# 58705



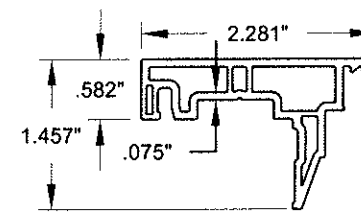
1 FRAME HEAD & JAMB
#20000, Cellular PVC



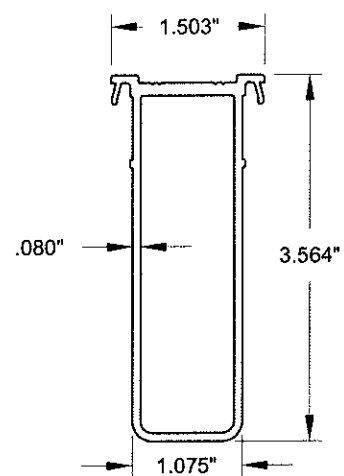
2 FRAME SILL
#20001, Rigid PVC



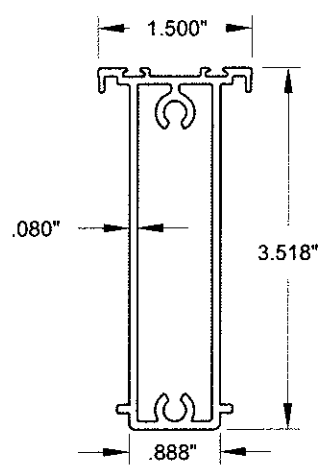
3 PANEL RAIL & STILE
#20002, Cellular PVC



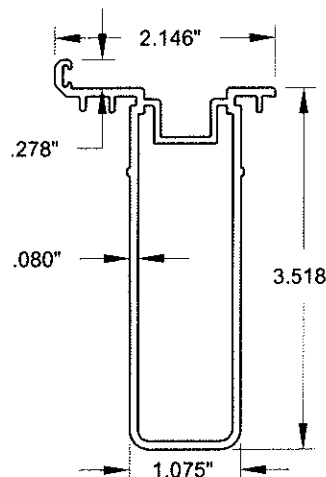
4 SIDELITE ADAPTER
#20003, Rigid PVC



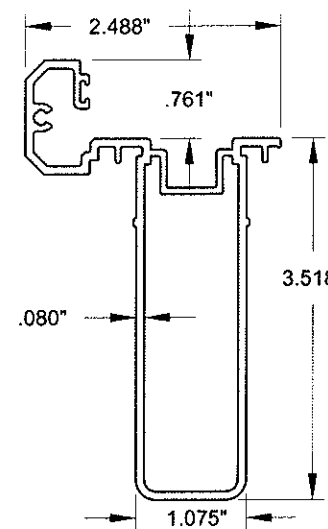
5 HINGE STILE REINFORCEMENT
#20013, 6063-T6



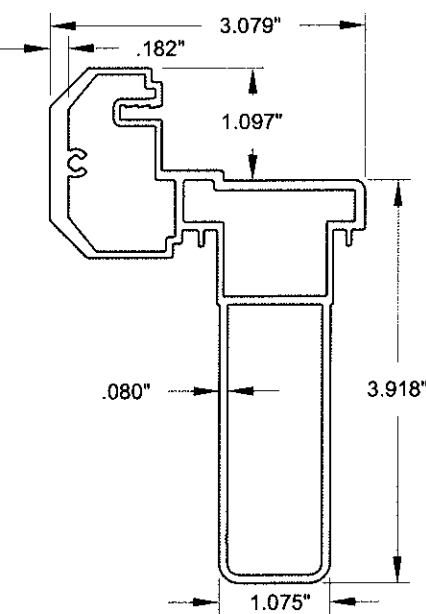
6 TOP & BOTTOM RAIL REINFORCEMENT
#20014, 6063-T6



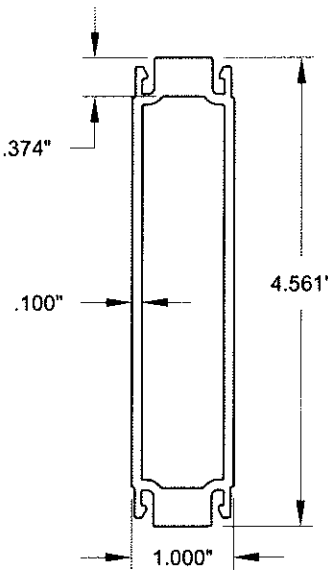
7 PANEL STILE REINFORCEMENT
#20015, 6063-T6



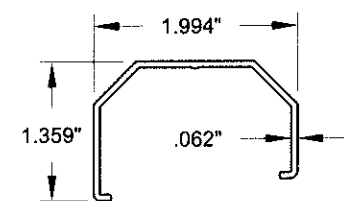
8 ACTIVE ASTRAGAL
#20016, 6063-T6



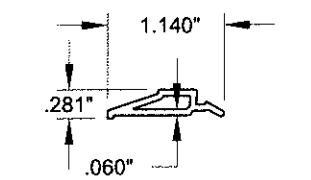
9 INACTIVE ASTRAGAL
#20017, 6063-T6



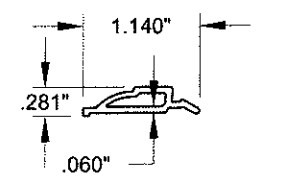
10 1\"/>



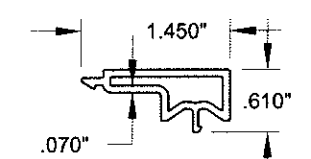
13 INACTIVE ASTRAGAL COVER
#20004, Rigid PVC



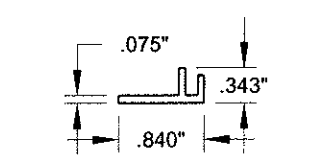
14 BEVELED BEAD
#20005, Rigid PVC



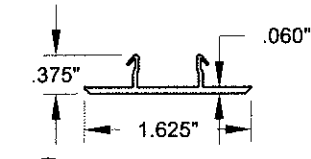
15 OGEE BEAD
#20006, Rigid PVC



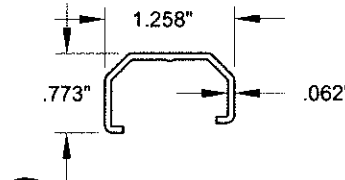
16 FRAME SCREW COVER
#20007, Rigid PVC



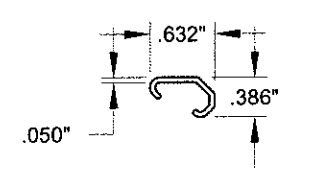
17 ADD-ON FIN/FLANGE
#20008, Rigid PVC



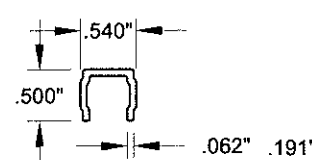
18 1\"/>



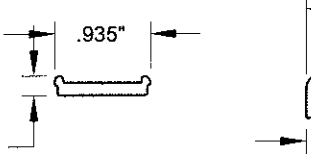
19 ACTIVE ASTRAGAL COVER
#20011, Rigid PVC



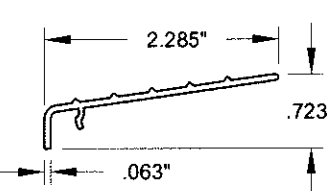
20 SINGLE DOOR ASTRAGAL COVER
#20012, Rigid PVC



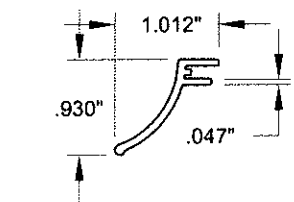
22 SILL CAP
#19009, Rigid PVC



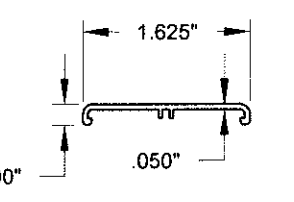
23 ANCHOR PLATE
#19031, 6063-T6



24 THRESHOLD CAP
#20020, 6063-T6



25 DRIP CAP
#20021, 6063-T6



26 HINGE TRIM COVER
#20023, Rigid PVC

Rev 3
Rev 2
Rev 1

1070 TECHNOLOGY DRIVE N. VENICE, FL 34275 P.O. BOX 1529 NOKOMIS, FL 34274 (941)-480-1600	Date	5/7/13	Rev	
	By	J ROSOWSKI	DWG No	FPA-555.1
	Scale	NTS	Sheet	9 OF 11
	Series Desc	VINYL FRENCH DOOR AND SLT/TR EXTRUSIONS		

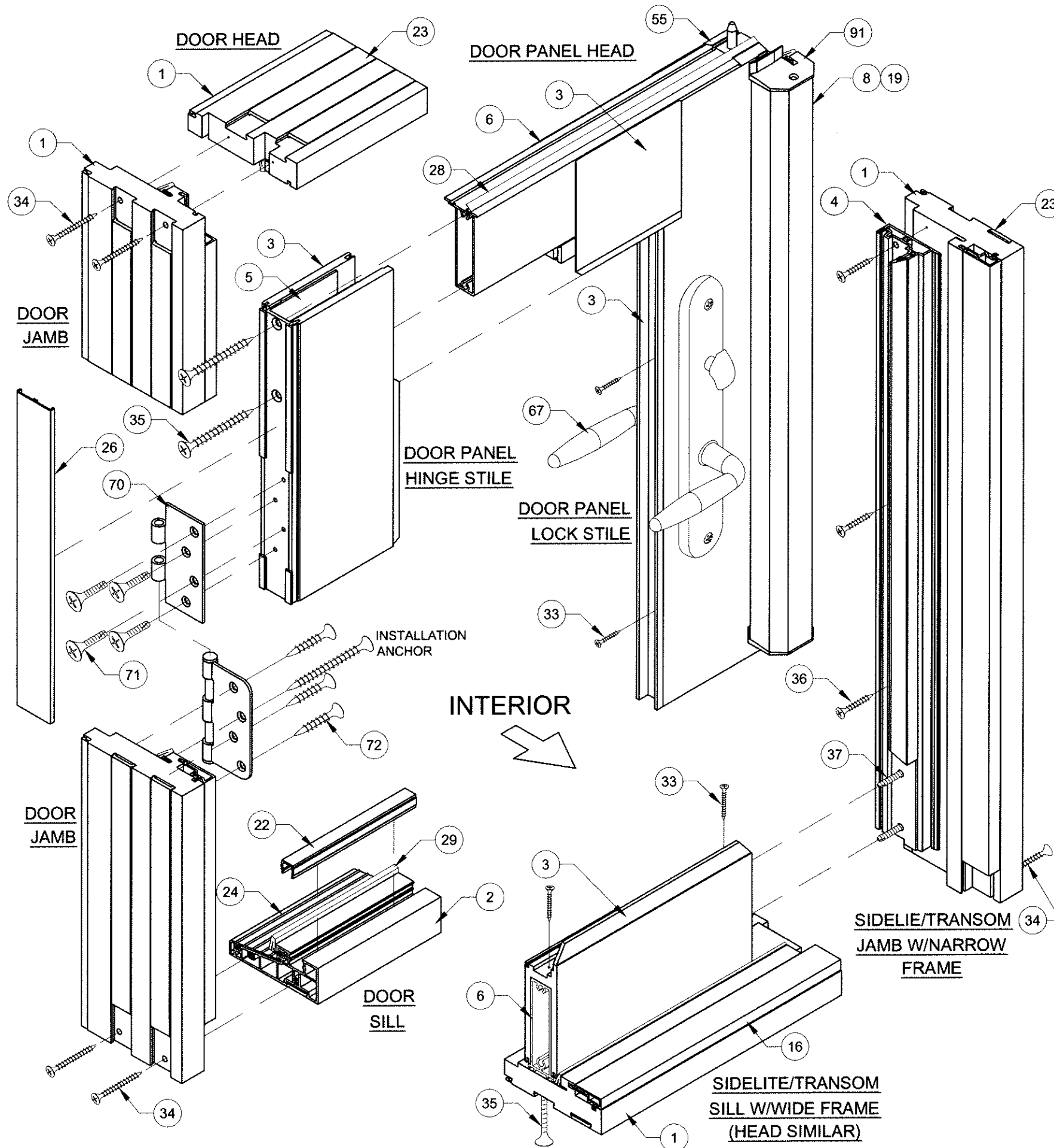
ANTHONY LYNN MILLER
 LICENSE
 No. 58705
 STATE OF FLORIDA
 PROFESSIONAL ENGINEER
 A. LYNN MILLER, P.E.
 P.E.# 58705

TABLE 10:

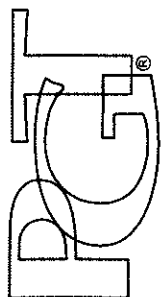
#	PGT Part #	Description	Material
1	20000	Door & Sidelite/Transom Main Frame	Cellular PVC
2	20001	Door Frame Sill	Rigid PVC
3	20002	Panel Stile & Rail	Cellular PVC
4	20003	Sidelite Adapter	Rigid PVC
5	20013	Hinge Stile Reinforcement	Alum., 6063-T6
6	20014	Panel Rail Reinforcement	Alum., 6063-T6
7	20015	Panel Stile Reinforcement	Alum., 6063-T6
8	20016	Active Astragal	Rigid PVC
9	20017	Inactive Astragal	Rigid PVC
10	20022	1" French Door Mullion	Alum., 6063-T6
13	20004	Inactive Astragal Cover	Rigid PVC
14	20005	1-1/16" Bevel Bead	Rigid PVC
15	20006	1-1/16" Ogee Bead	Rigid PVC
16	20007	Screw Cover	Rigid PVC
17	20008	Add-on Fin/Flange	Rigid PVC
18	20009	1" Mullion Cap	Rigid PVC
19	20011	Active Astragal Cover	Rigid PVC
20	20012	Single Door Astragal Cover	Rigid PVC
22	20018	Sill Screw Cover	Rigid PVC
23	19031	Anchor Plate	Alum., 6063-T6
24	20020	Threshold Cover	Alum., 6063-T6
25	20021	Drip Cap	Rigid PVC
26	20023	Hinge Trim Cover	Rigid PVC
28		Fin Weatherstrip	
29	1671/3	Frame Weatherstrip	
31	714FPT410XW	Frame-to-Wide Slab Screw: #14 X 1-1/2" Phil. FH	Stainless Steel
32	7S101X	Frame-to-Narrow Slab Screw: #10 X 1" Phil. FH	Stainless Steel
33	78X1FPT410	Reinforcement Screw: #8 X 1" Phil. FH	Stainless Steel
34	710X2FPAX	Frame Assembly Screw: #10 X 2" Phil. FH	Stainless Steel
35	714FPT410XW	W-W Slab Assembly Screw: #14 X 1-1/2" Phil. FH	Stainless Steel
36	7S101X	N-N Slab Assembly Screw: #10 X 1" Phil. FH	Stainless Steel
37	71420X2.25	N-W Slab Assembly Screw: #14 X 2-1/4" Phil. FH	Stainless Steel
39		DuraSeal Spacer	
40	62689	SuperSpacer	
41	720026	Setting Block, (Duro.=85 +/- 5)	EPDM
42		Backbedding: Dow-995 or GE-7700	Silicone
43		Argon Gas	
44	6HL5140	Hot Melt Butyl	
47 - 73	see Hardware BOM, Table 9, Sheet 12		
90	20033	Inactive Astragal Cap	Acetal
91	20035	Active Astragal Cap	Acetal

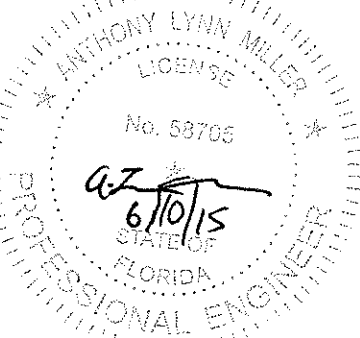
DAYLITE OPENING (DLO) SIZES

WHEN USING PART # 3: (WIDE RAILS OR STILES)
 X DOOR FRAME HEIGHT - 12.1 = DLO HEIGHT
 X DOOR FRAME WIDTH - 12.3 = DLO WIDTH
 (XX DOOR FRAME HEIGHT) - 12.1 = DLO HEIGHT
 (XX DOOR FRAME WIDTH / 2) - 11.5 = DLO WIDTH
 SLT/TR FRAME HEIGHT - 12.1 = DLO HEIGHT
 SLT/TR FRAME WIDTH - 12.1 = DLO WIDTH
 WHEN USING PART # 4: (NARROW RAILS OR STILES)
 SLT/TR FRAME HEIGHT - 4.9 = DLO HEIGHT
 SLT/TR FRAME WIDTH - 4.9 = DLO WIDTH



Rev 3
Rev 2
Rev 1

1070 TECHNOLOGY DRIVE N. VENICE, FL 34275 P.O. BOX 1529 NOKOMIS, FL 34274 (941)-480-1600		Date	5/7/13	Rev	
		By	J ROSOWSKI	DWG No	FPA-555.1
CERT. OF AUTH. #29296 VINYL FRENCH DOOR AND SLT/TR CORNER DETAILS AND BOM		Scale	NTS	Sheet	10 OF 11
		Series	FD-555	Desc	



 ANTHONY LYNN MILLER
 LICENSE
 No. 58705
 6/10/15
 STATE OF FLORIDA
 PROFESSIONAL ENGINEER
 A. LYNN MILLER, P.E.
 P.E.# 58705

HARDWARE DETAILS & LOCATIONS

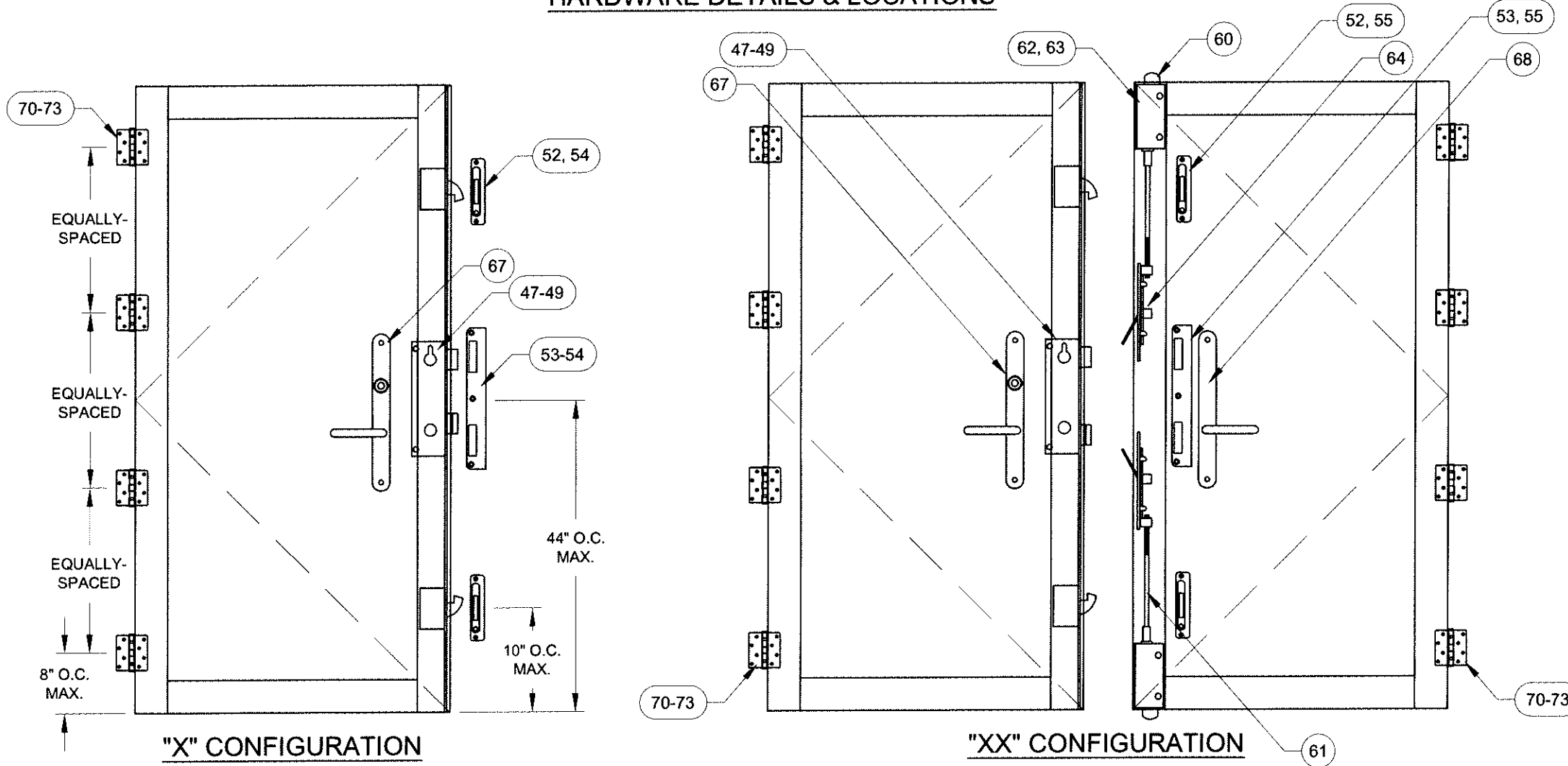
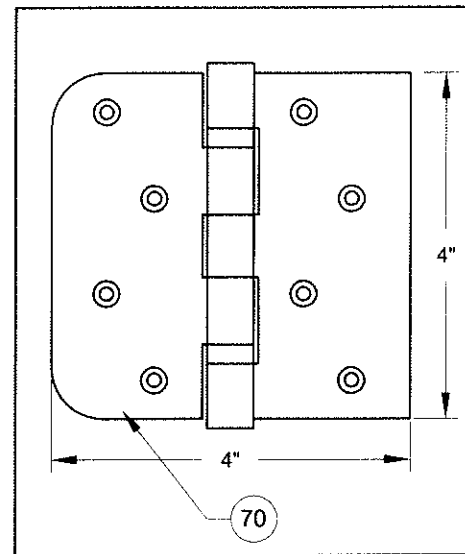


TABLE 12:

#	PGT Part #	Description	Material
47	666032701	P3000 3-PT Rhino Lock (6'8")	
48	666032702	P3000 3-PT Rhino Lock (over 6'8")	
49	71032X1FPFX	Rhino Lock Screw: 10-32 X 1" Phil. FH	
52	20027	Adjustable Strike Plate Assembly	Stainless Steel
53	20028	Center Strike Plate Assembly	Stainless Steel
54	7S101X	Strike Plate Screw, (X): #10 X 1" Phil. FH	410 S.S.
55	78X12PFHUX	Strike Plate Screw, (XX): #8 X 1/2" Phil. FH	410 S.S.
60	7SB1202	Flush Bolt (XX)	
61	7803725	Flush Bolt Rod (XX)	
62	420034	Flush Bolt Guides (XX)	
63	7832X12FPXP	Flush Bolt Screw: 8-32 X 1/2" Phil. FH	
64	48033N	Guide Pin (XX)	
65	78036	Flush Bolt Strike Plate (XX)	Stainless Steel
66	7832X12FPXP	Flush Bolt Strike Plate Screw, (XX): #8 X 3/4" Phil. FH	410 S.S.
67	varies	Handle/Lever	
68	varies	Dummy Handle/Lever	
70	20025	Butt Hinge	Stainless Steel
71	71032X1FPFX	Hinge, Slab Screw: #10-32 X 1" Phil FH	Stainless Steel
72	7S101X	Hinge, Frame Screw: #10 X 1" Phil. FH	Stainless Steel

HINGE DETAIL:



Rev. 3 | Rev. 2 | Rev. 1

PGT CERT. OF AUTH. #29296		VINYL FRENCH DOOR AND SLT/TR		DESIGN PRESSURE TABLES 3		J ROSOWSKI	
1070 TECHNOLOGY DRIVE N. VENICE, FL 34275 P.O. BOX 1529 NOKOMIS, FL 34274 (941)-480-1600		Date		Drawn By		FPA-555.1	
FD-555		NTS		11 OF 11		DWC No.	
Series		Desc.		The		Rev.	

ANTHONY LYNN MILLER
LICENSE
No. 58705
STATE OF FLORIDA
PROFESSIONAL ENGINEER

A. LYNN MILLER, P.E.
P.E.# 58705