

**GENERAL NOTES: SERIES 5540
IMPACT RESISTANT, VINYL FIXED-CASEMENT
WINDOW**

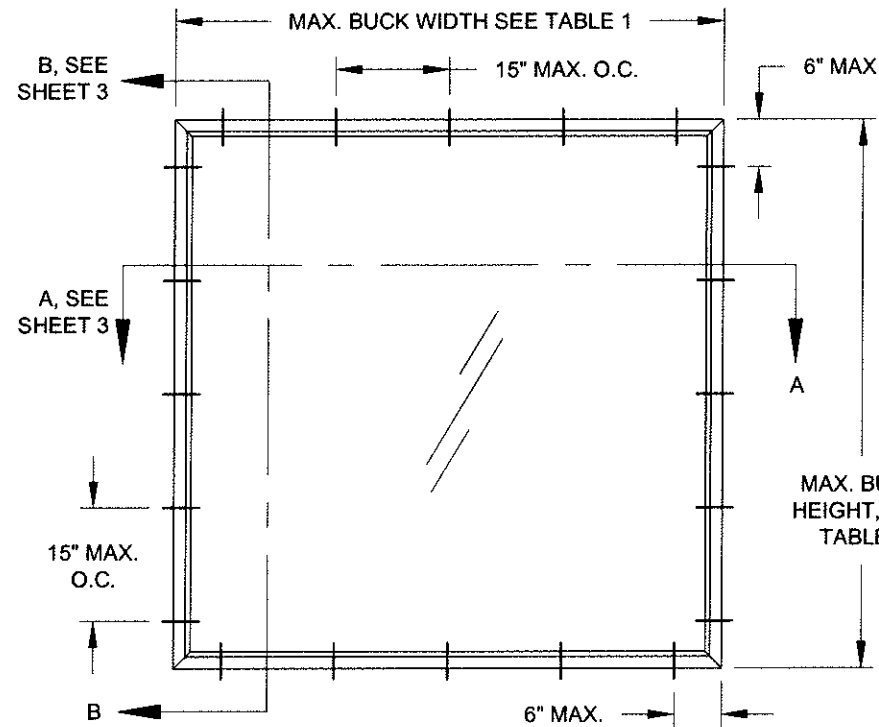
1) THIS PRODUCT HAS BEEN DESIGNED & TESTED TO COMPLY WITH THE REQUIREMENTS OF THE FLORIDA BUILDING CODE.

2) ALL WOOD BUCKS LESS THAN 1-1/2" THICK ARE TO BE CONSIDERED 1X INSTALLATIONS. 1X WOOD BUCKS ARE OPTIONAL IF UNIT IS INSTALLED DIRECTLY TO SUBSTRATE. WOOD BUCKS DEPICTED AS 2X ARE 1-1/2" THICK OR GREATER. 1X AND 2X BUCKS (WHEN USED) SHALL BE DESIGNED TO PROPERLY TRANSFER LOADS TO THE STRUCTURE. WOOD BUCK DESIGN AND INSTALLATION IS THE RESPONSIBILITY OF THE ENGINEER, (EOR) OR ARCHITECT OF RECORD, (AOR).

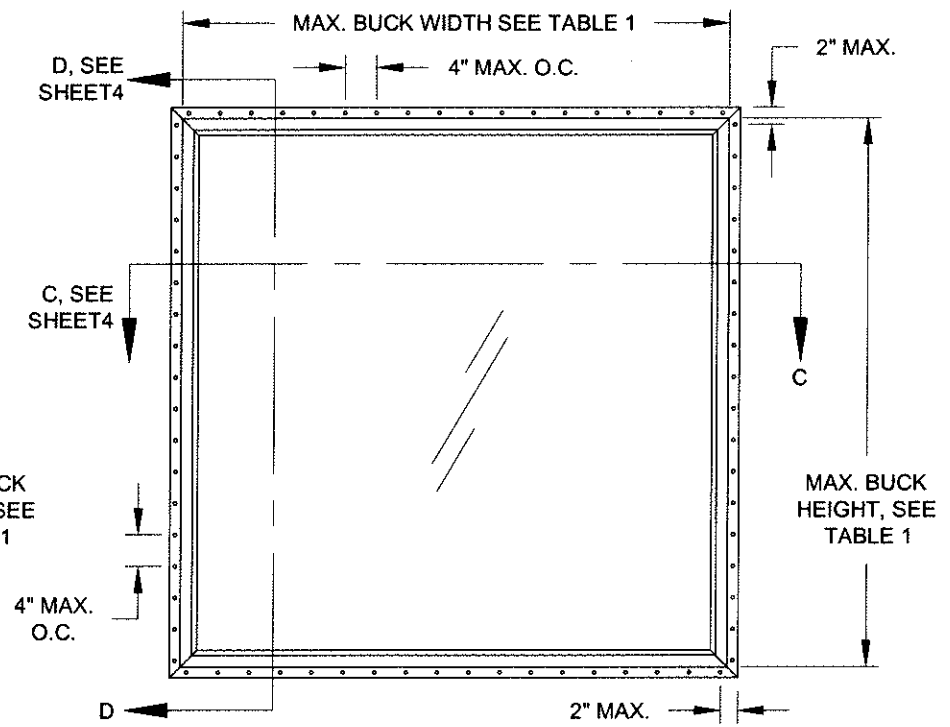
3) ANCHOR EMBEDMENT TO BASE MATERIAL SHALL BE BEYOND WALL DRESSING OR STUCCO. USE ANCHORS OF SUFFICIENT EMBEDMENT. INSTALLATION ANCHORS SHOULD BE SEALED. OVERALL SEALING/FLASHING STRATEGY FOR WATER RESISTANCE OF INSTALLATION SHALL BE DONE BY OTHERS AND IS BEYOND THE SCOPE OF THESE INSTRUCTIONS.

4) MAX. 1/4" SHIMS ARE REQUIRED AT EACH ANCHOR LOCATION WHERE THE PRODUCT IS NOT FLUSH TO THE SUBSTRATE. USE SHIMS CAPABLE OF TRANSFERRING APPLIED LOADS. WOOD BUCKS, BY OTHERS, MUST BE SUFFICIENTLY ANCHORED TO RESIST LOADS IMPOSED ON THEM BY THE WINDOW.

5) THE ANCHORAGE METHODS SHOWN HAVE BEEN DESIGNED TO RESIST THE WINDLOADS CORRESPONDING TO THE REQUIRED DESIGN PRESSURE. THE 33-1/3% STRESS INCREASE HAS NOT BEEN USED IN THE DESIGN OF THIS PRODUCT. THE 1.6 LOAD DURATION FACTOR WAS USED FOR THE EVALUATION OF ANCHORS INTO WOOD. ANCHORS THAT COME INTO CONTACT WITH OTHER DISSIMILAR MATERIALS SHALL MEET THE REQUIREMENTS OF THE FLORIDA BUILDING CODE FOR CORROSION RESISTANCE.



**TYP. EQUAL-LEG/BOX & FLANGE
FRAME (SHAPES SIMILAR)**



**TYP. INTEGRAL FIN & J-CANNEL
FRAME (SHAPES SIMILAR)**

SHAPES MAY BE USED BY INSCRIBING THE SHAPE IN A BLOCK AND OBTAINING DESIGN PRESSURES FOR THAT BLOCK SIZE FROM THE TABLE ON THIS SHEET.

TABLE 1:

Window Buck Size		Design Pressure		Certification (CAR) Number
Width	Height	(+) psf	(-) psf	
84	54	65.0	65.0	190-281, 1019
84	54	70.0	70.0	190-284, 1019
84	72	70.0	70.0	190-279, 1012
96	63	70.0	70.0	190-283, 1020
75	48	50.0	50.0	190-280, 1013
36	72	50.0	50.0	190-282, 1014

CERT. OF AUTH. #29296
1070 TECHNOLOGY DRIVE
N. VENICE, FL 34275
(941)-480-1600

Series	Rev 1	Desc.	VINYL FIXED WINDOW FPA (IMP.-RESIST.)		Date	12/13/14
			GENERAL NOTES & ELEVATIONS	Drawn By	J ROSOWSKI	
				Rev 1	Date	
				Rev 2	Date	
PW-5540	Scale	NTS	Sheet	1 OF 4	DWG No.	FPA-5540.0
					Rev. No.	

ANTHONY LYNN MILLER
LICENSE
No. 58705
STATE OF
FLORIDA
PROFESSIONAL ENGINEER
A. LYNN MILLER, P.E.
P.E.# 58705

TABLE 2: ANCHORS INSTALLED THROUGH FRAME

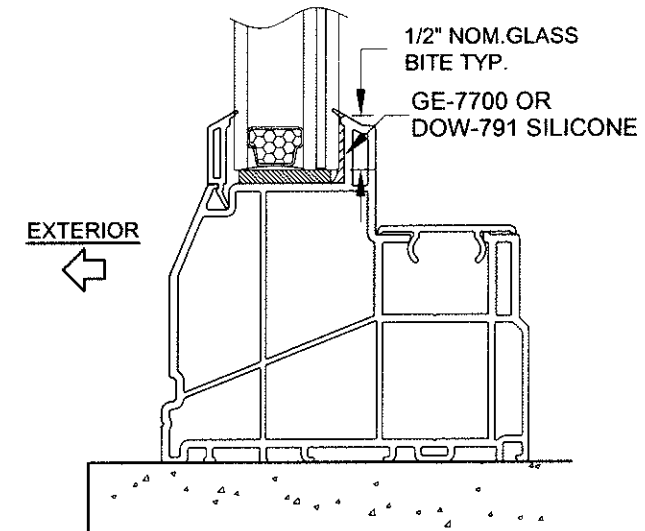
Anchor	Substrate	Min. Edge Distance	Min. Embedment
#10 SMS (steel, 18-8 S.S. or 410 S.S.) Max. DP of 50.0	P.T. Southern Pine (SG=0.55)	7/16"	1-3/8"
	Steel, A36	3/8"	0.050"
	Steel Stud, A653 Gr. 33	3/8"	0.0346" (20 Ga.)
	Aluminum, 6063-T5	3/8"	0.0713" (14 Ga.)
#12 SMS (steel, 18-8 S.S. or 410 S.S.)	P.T. Southern Pine (SG=0.55)	9/16"	1-3/8"
	Steel, A36	3/8"	0.050"
	Steel Stud, A653 Gr. 33	3/8"	0.0346" (20 Ga.)
	Aluminum, 6063-T5	3/8"	0.0713" (14 Ga.)
3/16" Ultracon (steel) Max. DP of 50.0	P.T. Southern Pine (SG=0.55)	7/16"	1-3/8"
	Concrete (min. 2.85 ksi)	1"	1-3/8"
	UngROUTED CMU, (ASTM C-90)	2-1/2"	1-1/4"
1/4" Ultracon (steel)	P.T. Southern Pine (SG=0.55)	1"	1-3/8"
	Concrete (min. 2.85 ksi)	1"	1-3/4"
	UngROUTED CMU, (ASTM C-90)	2-1/2"	1-1/4"
1/4" Crete-Flex (410 S.S.)	P.T. Southern Pine (SG=0.55)	1"	1-3/8"
	Concrete (min. 3.35 ksi)	1"	1-3/4"
	UngROUTED CMU, (ASTM C-90)	2-1/2"	1-1/4"
1/4" Aggre-Gator (18-8 S.S.)	Concrete (min. 3.275 ksi)	1-1/2"	1-3/8"
	P.T. Southern Pine (SG=0.55)	1"	1-3/8"
	UngROUTED CMU, (ASTM C-90)	2"	1-1/4"

TABLE 3: ANCHORS INSTALLED THROUGH INTEGRAL FIN

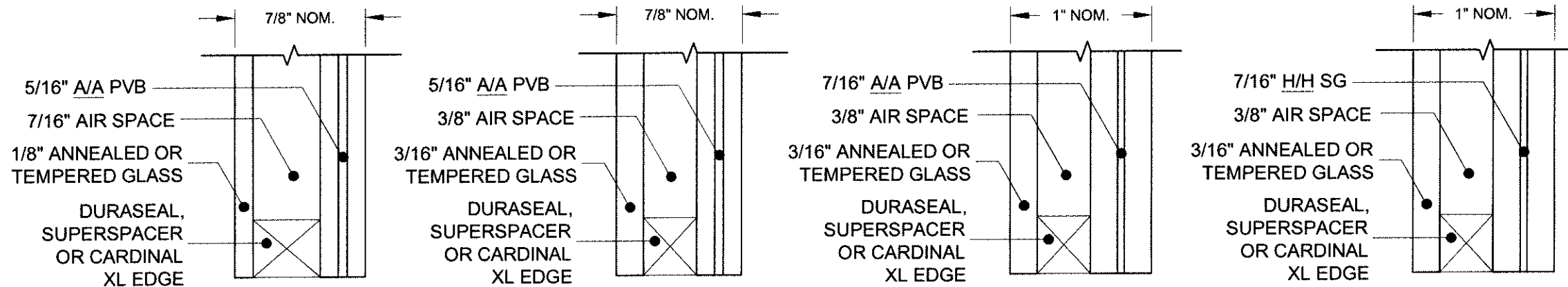
Anchor	Substrate	Min. Edge Distance	Min. Embedment
2-1/2" x .131" Common Nail Max. DP of 50.0	P.T. Southern Pine (SG=.55)	9/16"	2-7/16"
	P.T. Southern Pine (SG=.55)	9/16"	2-7/16"
	P.T. Southern Pine (SG=.55)	9/16"	2-7/16"
	P.T. Southern Pine (SG=.55)	3/4"	1-3/8"
#10 SMS (steel, 18-8 S.S. or 410 S.S.)	Aluminum, 6063-T5	3/8"	0.0713" (14 Ga.)
	Steel Stud, Gr. 33	3/8"	0.0346" (20 Ga.)
	Steel, A36	3/8"	0.050"

ANCHOR NOTES:

- 1) "UNGROUTED CMU" VALUES MAY BE USED FOR GROUTED CMU APPLICATIONS.
- 2) PANHEAD, FLATHEAD OR HEXHEAD ARE ACCEPTABLE.
- 3) ANCHOR LENGTH TO BE SO THAT A MIN. OF 3 THREADS EXTEND BEYOND THE METAL SUBSTRATE.



TYP. GLAZING DETAIL



GLAZING TYPES

PVB AND SG INTERLAYERS MANUFACTURED BY DUPONT INC. (AKA KURARAY AMERICA, INC.)

VISIBLE LIGHT FORMULAS

WIDTH: BUCK WIDTH - 6-3/4"
HEIGHT: BUCK HEIGHT - 6-3/4"

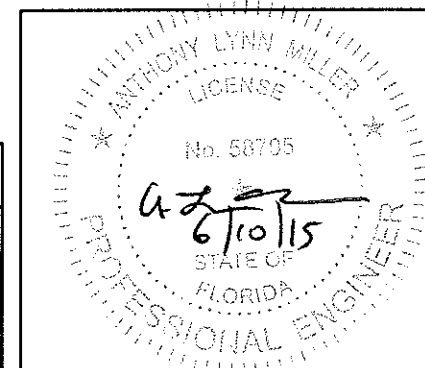
VISIBLE LIGHT WIDTH OR HEIGHT (ALSO REFERRED TO AS DAYLIGHT OPENING) IS MEASURED FROM BEADING TO BEADING.



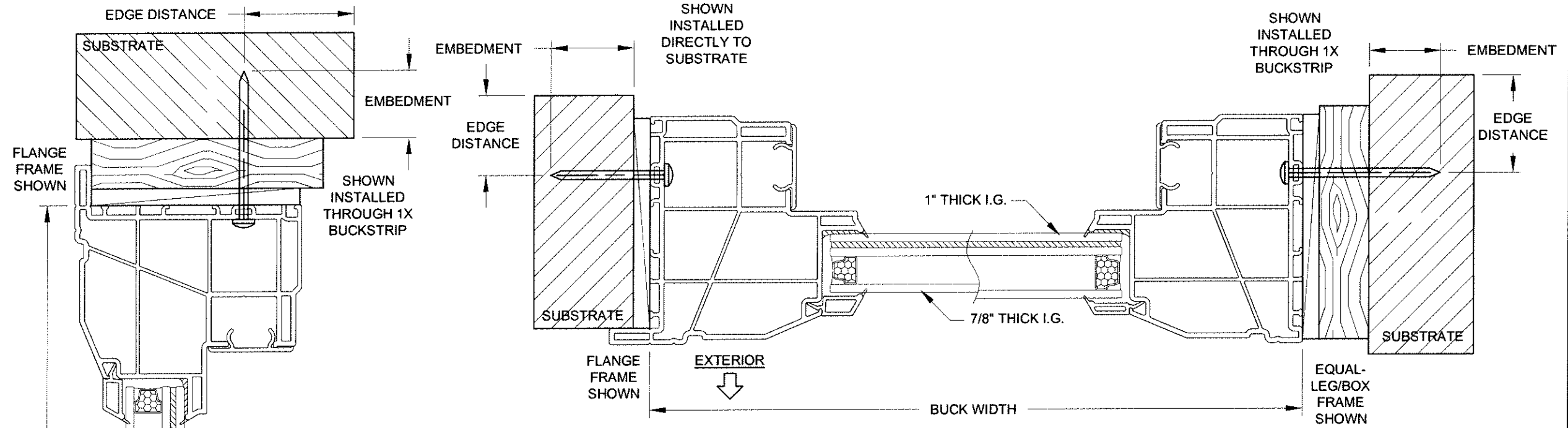
CERT. OF AUTH. #29296

1070 TECHNOLOGY DRIVE
N. VENICE, FL 34275
(941)-480-1600

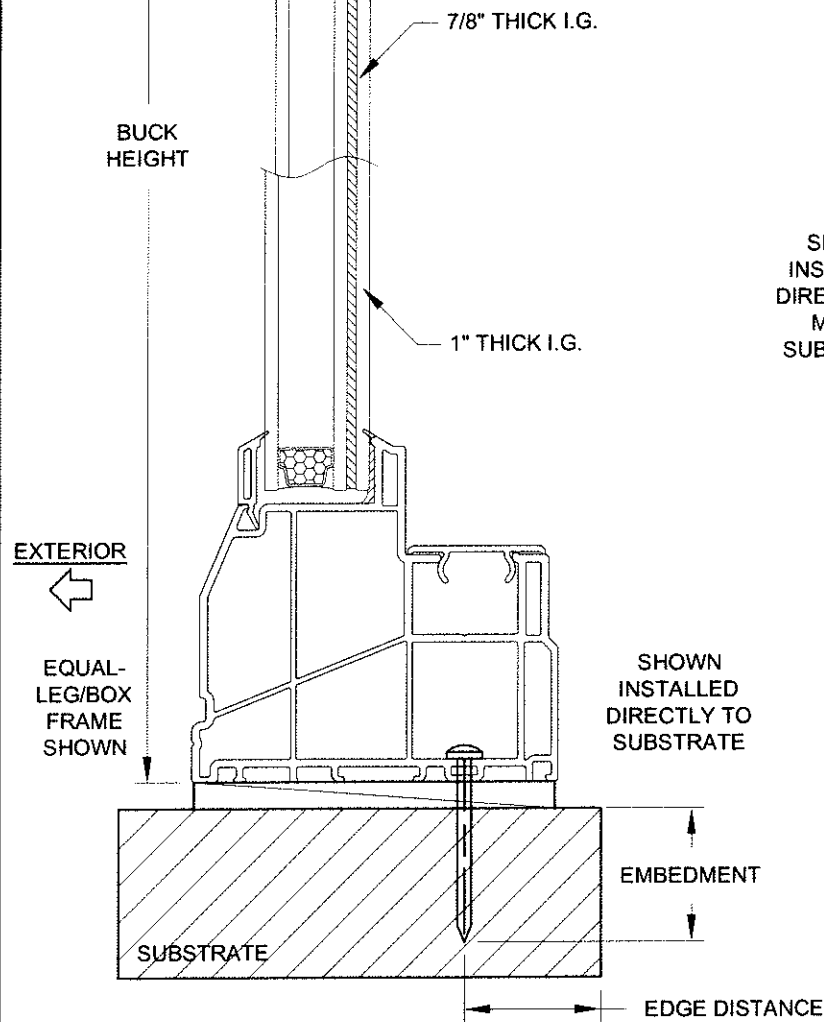
Series	PW-5540	Scale	NTS	Sheet	2 OF 4	DWG No.	FPA-5540.0	Rev. No.	
Title	VINYL FIXED WINDOW FPA (IMP.-RESIST.)		Date	12/13/14					
Desc.	GLASS/ANCHOR OPTIONS		Drawn By	J ROSOWSKI					
Rev 1		Rev 1	Date						
Rev 2		Rev 2	Date						



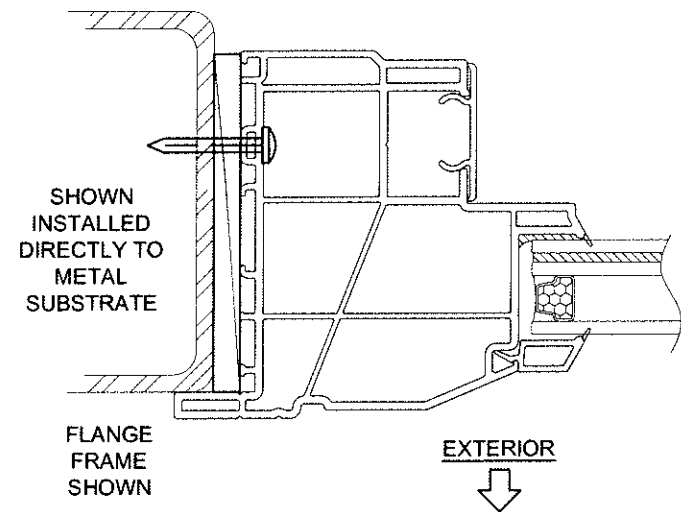
A. LYNN MILLER, P.E.
P.E.# 58705



HORIZONTAL SECTION A-A



VERTICAL SECTION B-B



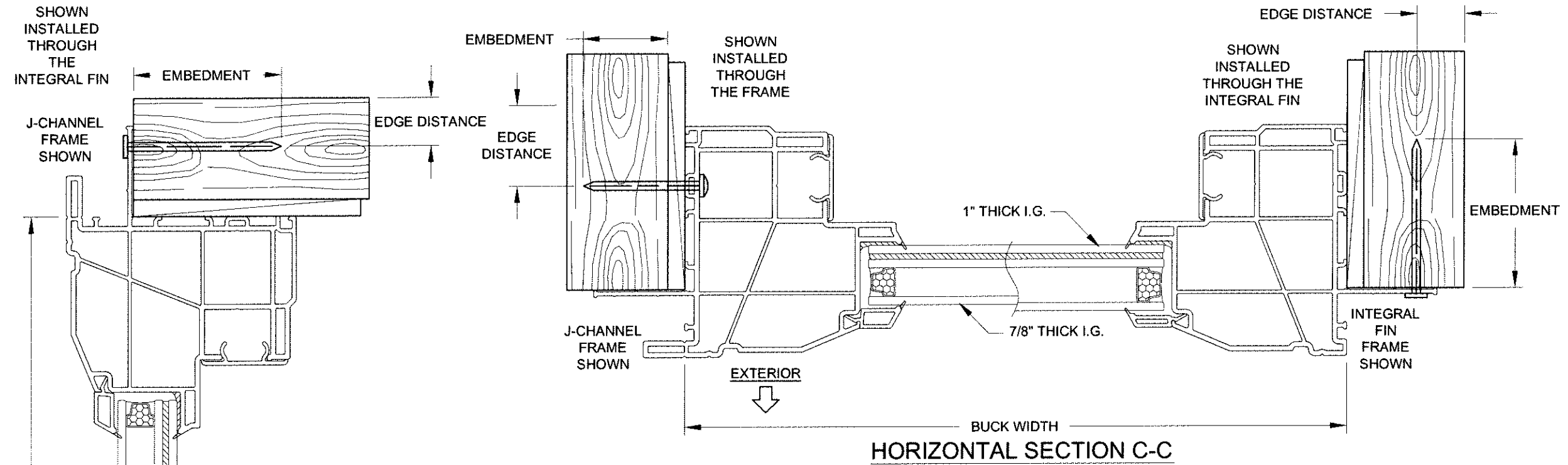
INSTALLATION NOTES:

- 1) SEE SHEET 1 FOR SPACING REQUIREMENTS.
- 2) SEE TABLE(S) ON SHEET 2 FOR ANCHORAGE AND SUBSTRATE REQUIREMENTS.
- 3) MAX. SHIM THICKNESS TO BE 1/4".
- 4) GLASS SHOWN IS FOR ILLUSTRATIVE PURPOSES ONLY AND MAY DIFFER TO MEET DESIGN REQUIREMENTS.
- 5) FIN AND/OR FLANGE MAY BE REMOVED TO CREATE OTHER FRAME TYPES.

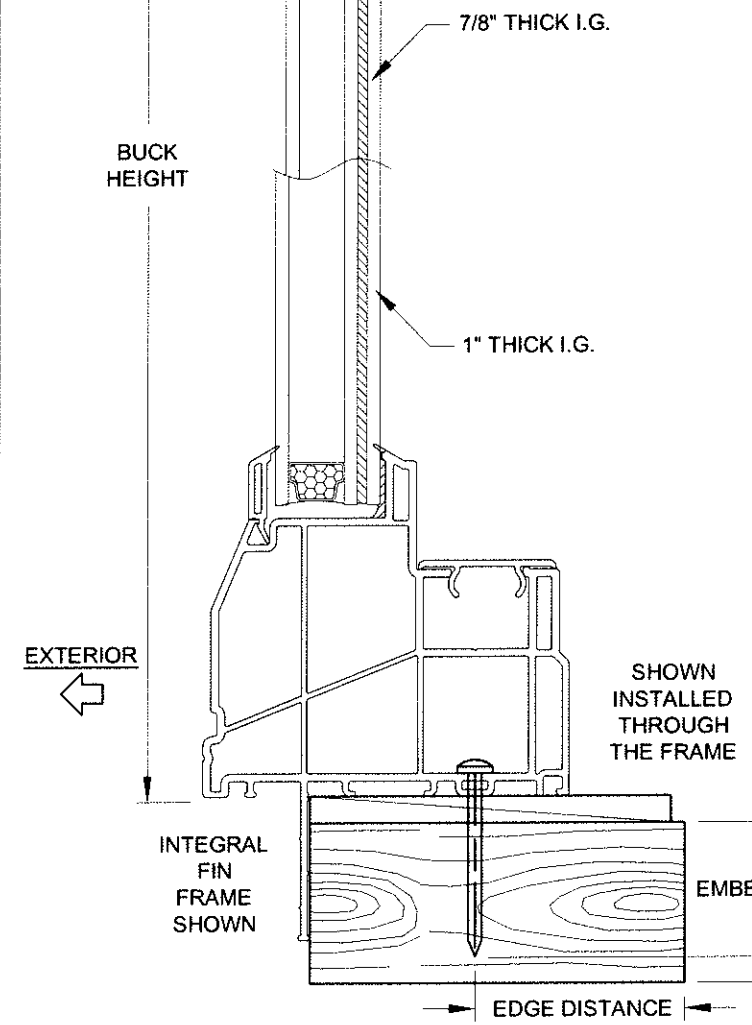
PGT
 CERT. OF AUTH. #29296
 1070 TECHNOLOGY DRIVE
 N. VENICE, FL 34275
 (941)-480-1600

Series	Rev 1	Title	Date
		VINYL FIXED WINDOW FPA (IMP.-RESIST.)	12/13/14
		FLANGE & EQUAL-LEG/BOX FRAMES	Drawn By J ROSOWSKI
Rev 2	Rev 1		Date
PW-5540	Scale	NTS	Sheet
			3 OF 4
DWG No.		FPA-5540.0	Rev. No.

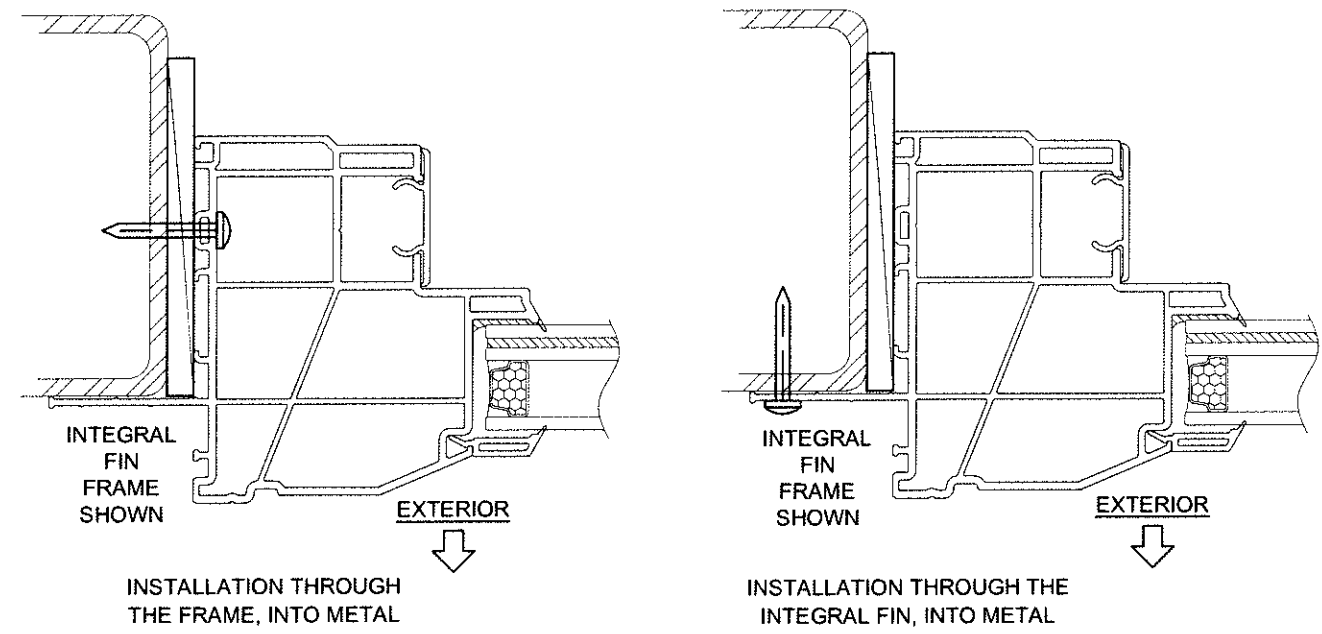
ANTHONY LYNN MILLER
 LICENSE
 No. 58705
 A. Lynn Miller
 6/10/15
 STATE OF FLORIDA
 PROFESSIONAL ENGINEER
 A. LYNN MILLER, P.E.
 P.E.# 58705



HORIZONTAL SECTION C-C



VERTICAL SECTION D-D



INSTALLATION NOTES:

- 1) SEE SHEET 1 FOR SPACING REQUIREMENTS.
- 2) SEE TABLE(S) ON SHEET 2 FOR ANCHORAGE AND SUBSTRATE REQUIREMENTS.
- 3) MAX. SHIM THICKNESS TO BE 1/4".
- 4) GLASS SHOWN IS FOR ILLUSTRATIVE PURPOSES ONLY AND MAY DIFFER TO MEET DESIGN REQUIREMENTS.
- 5) FIN AND/OR FLANGE MAY BE REMOVED TO CREATE OTHER FRAME TYPES.

CERT. OF AUTH. #29296
 1070 TECHNOLOGY DRIVE
 N. VENICE, FL 34275
 (941)-480-1600

Series	PW-5540	Scale	NTS	Sheet	4 OF 4	DWG No.	FPA-5540.0	Rev. No.	
Title	VINYL FIXED WINDOW FPA (IMP.-RESIST.)		Date	12/13/14					
Desc.	J-CHANNEL & INTEGRAL FIN FRAMES		Drawn By	J ROSOWSKI					
Rev 1		Rev 1		Date					
Rev 2		Rev 2		Date					

A. LYNN MILLER, P.E.
 P.E.# 58705