

GENERAL NOTES: SERIES 5540
IMPACT RESISTANT, VINYL
CASEMENT WINDOW

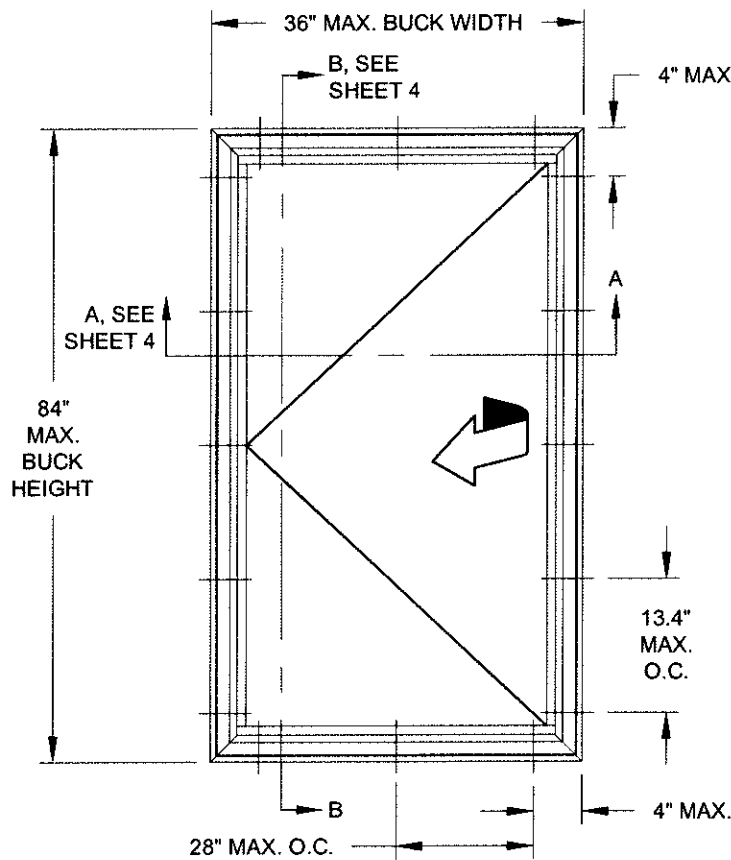
1) THIS PRODUCT HAS BEEN DESIGNED & TESTED TO COMPLY WITH THE REQUIREMENTS OF THE FLORIDA BUILDING CODE.

2) ALL WOOD BUCKS LESS THAN 1-1/2" THICK ARE TO BE CONSIDERED 1X INSTALLATIONS. 1X WOOD BUCKS ARE OPTIONAL IF UNIT IS INSTALLED DIRECTLY TO SUBSTRATE. WOOD BUCKS DEPICTED AS 2X ARE 1-1/2" THICK OR GREATER. 1X AND 2X BUCKS (WHEN USED) SHALL BE DESIGNED TO PROPERLY TRANSFER LOADS TO THE STRUCTURE. WOOD BUCK DESIGN AND INSTALLATION IS THE RESPONSIBILITY OF THE ENGINEER, (EOR) OR ARCHITECT OF RECORD, (AOR).

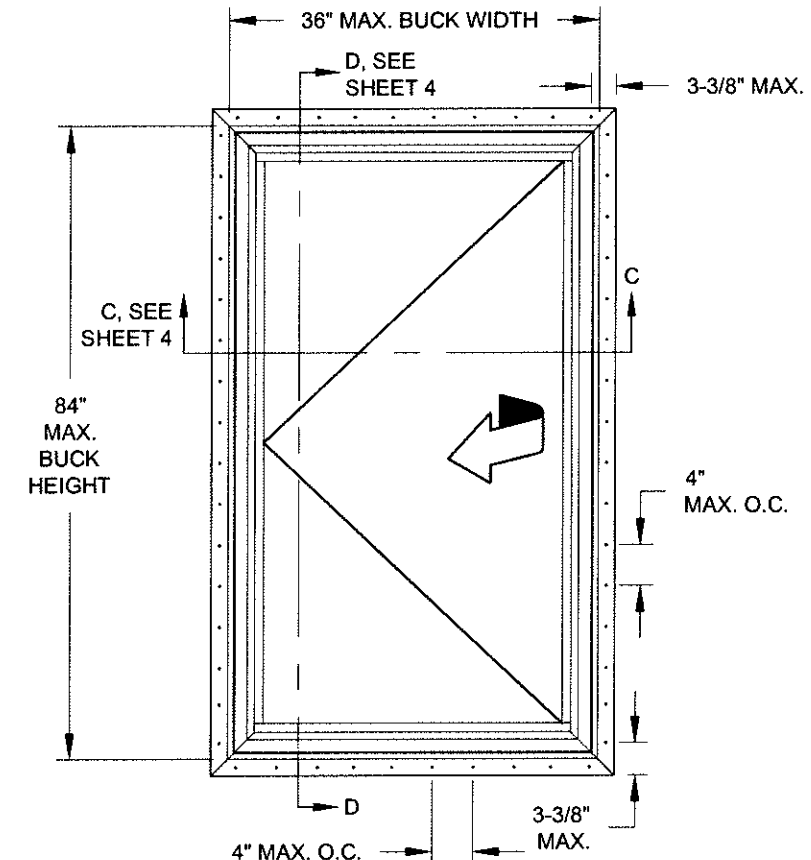
3) ANCHOR EMBEDMENT TO BASE MATERIAL SHALL BE BEYOND WALL DRESSING OR STUCCO. USE ANCHORS OF SUFFICIENT EMBEDMENT. INSTALLATION ANCHORS SHOULD BE SEALED. OVERALL SEALING/FLASHING STRATEGY FOR WATER RESISTANCE OF INSTALLATION SHALL BE DONE BY OTHERS AND IS BEYOND THE SCOPE OF THESE INSTRUCTIONS.

4) MAX. 1/4" SHIMS ARE REQUIRED AT EACH ANCHOR LOCATION WHERE THE PRODUCT IS NOT FLUSH TO THE SUBSTRATE. USE SHIMS CAPABLE OF TRANSFERRING APPLIED LOADS. WOOD BUCKS, BY OTHERS, MUST BE SUFFICIENTLY ANCHORED TO RESIST LOADS IMPOSED ON THEM BY THE WINDOW.

5) THE ANCHORAGE METHODS SHOWN HAVE BEEN DESIGNED TO RESIST THE WINDLOADS CORRESPONDING TO THE REQUIRED DESIGN PRESSURE. THE 33-1/3% STRESS INCREASE HAS NOT BEEN USED IN THE DESIGN OF THIS PRODUCT. THE 1.6 LOAD DURATION FACTOR WAS USED FOR THE EVALUATION OF ANCHORS INTO WOOD. ANCHORS THAT COME INTO CONTACT WITH OTHER DISSIMILAR MATERIALS SHALL MEET THE REQUIREMENTS OF THE FLORIDA BUILDING CODE FOR CORROSION RESISTANCE.



ELEVATION FOR TYP. EQUAL LEG/BOX & FLANGE FRAME



ELEVATION FOR TYP. FIN & J-CHANNEL FRAME

TABLE 1:

Window Buck Size		Reinf. Level	Design Pressure		Certification (CAR) Number
Width	Height		(+) psf	(-) psf	
36"	71.593"	Standard	50	50	190-299, 1059
34.365"	75"	Standard	50	50	190-299, 1059
36"	84"	HD	65	70	190-501, 1060

1070 TECHNOLOGY DRIVE
 N. VENICE, FL 34275
 (941)-480-1600

Series	CA-5540	Scale	NTS	Sheet	1 OF 4	DWG No.	FPA-5540CA.0	Rev. No.	
Desc. Title	VINYL CASEMENT WINDOW FPA (IMP.-RES.)		Date	12/13/14					
Drawn By	J ROSOWSKI								
Rev 1	Date								
Rev 2	Date								

A. LYNN MILLER, P.E.
 P.E.# 58705

TABLE 2: ANCHORS INSTALLED THROUGH FRAME

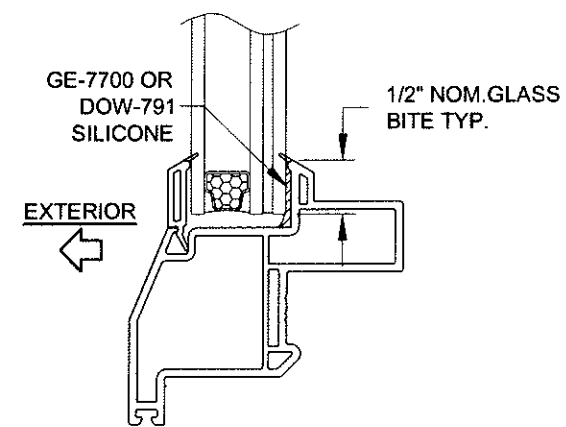
Anchor	Substrate	Min. Edge Distance	Min. Embedment
#10 SMS (steel, 18-8 S.S. or 410 S.S.) Max. DP of 50.0	P.T. Southern Pine (SG=0.55)	7/16"	1-3/8"
	Steel, A36	3/8"	0.050"
	Steel Stud, A653 Gr. 33	3/8"	0.0346" (20 Ga.)
	Aluminum, 6063-T5	3/8"	0.0713" (14 Ga.)
#12 SMS (steel, 18-8 S.S. or 410 S.S.)	P.T. Southern Pine (SG=0.55)	9/16"	1-3/8"
	Steel, A36	3/8"	0.050"
	Steel Stud, A653 Gr. 33	3/8"	0.0346" (20 Ga.)
	Aluminum, 6063-T5	3/8"	0.0713" (14 Ga.)
3/16" Ultracon (steel) Max. DP of 50.0	P.T. Southern Pine (SG=0.55)	7/16"	1-3/8"
	Concrete (min. 2.85 ksi)	1"	1-3/8"
	UngROUTED CMU, (ASTM C-90)	2-1/2"	1-1/4"
1/4" Ultracon (steel)	P.T. Southern Pine (SG=0.55)	1"	1-3/8"
	Concrete (min. 2.85 ksi)	1"	1-3/4"
	UngROUTED CMU, (ASTM C-90)	2-1/2"	1-1/4"
	Concrete (min. 2.85 ksi)	2-1/2"	1-3/4"
1/4" Crete-Flex (410 S.S.)	P.T. Southern Pine (SG=0.55)	1"	1-3/8"
	Concrete (min. 3.35 ksi)	1"	1-3/4"
	UngROUTED CMU, (ASTM C-90)	2-1/2"	1-1/4"
	Concrete (min. 3.35 ksi)	2-1/2"	1-3/4"
1/4" Aggre-Gator (18-8 S.S.)	Concrete (min. 3.275 ksi)	1-1/2"	1-3/8"
	P.T. Southern Pine (SG=0.55)	1"	1-3/8"
	UngROUTED CMU, (ASTM C-90)	2"	1-1/4"

TABLE 3: ANCHORS INSTALLED THROUGH INTEGRAL FIN

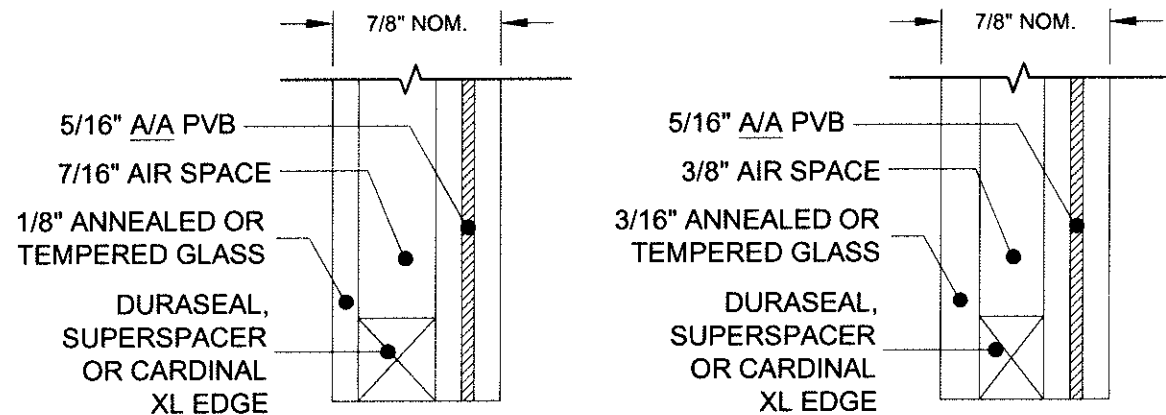
Anchor	Substrate	Min. Edge Distance	Min. Embedment
2-1/2" x .131" Common Nail Max. DP of 50 psf	P.T. Southern Pine (SG=.55)	9/16"	2-7/16"
2-1/2" x .131" Ring-shank Nail	P.T. Southern Pine (SG=.55)	9/16"	2-7/16"
2-1/2" x .145" Roofing Nail	P.T. Southern Pine (SG=.55)	9/16"	2-7/16"
#10 SMS (steel, 18-8 S.S. or 410 S.S.)	P.T. Southern Pine (SG=.55)	3/4"	1-3/8"
	Aluminum, 6063-T5	3/8"	0.050"
	Steel Stud, Gr. 33	3/8"	0.0346" (20 Ga.)
	Steel, A36	3/8"	0.050"

ANCHOR NOTES:

- 1) "UNGROUTED CMU" VALUES MAY BE USED FOR GROUTED CMU APPLICATIONS.
- 2) PANHEAD, FLATHEAD OR HEXHEAD ARE ACCEPTABLE.
- 3) ANCHOR LENGTH TO BE SO THAT A MIN. OF 3 THREADS EXTEND BEYOND THE METAL SUBSTRATE.



TYP. GLAZING DETAIL



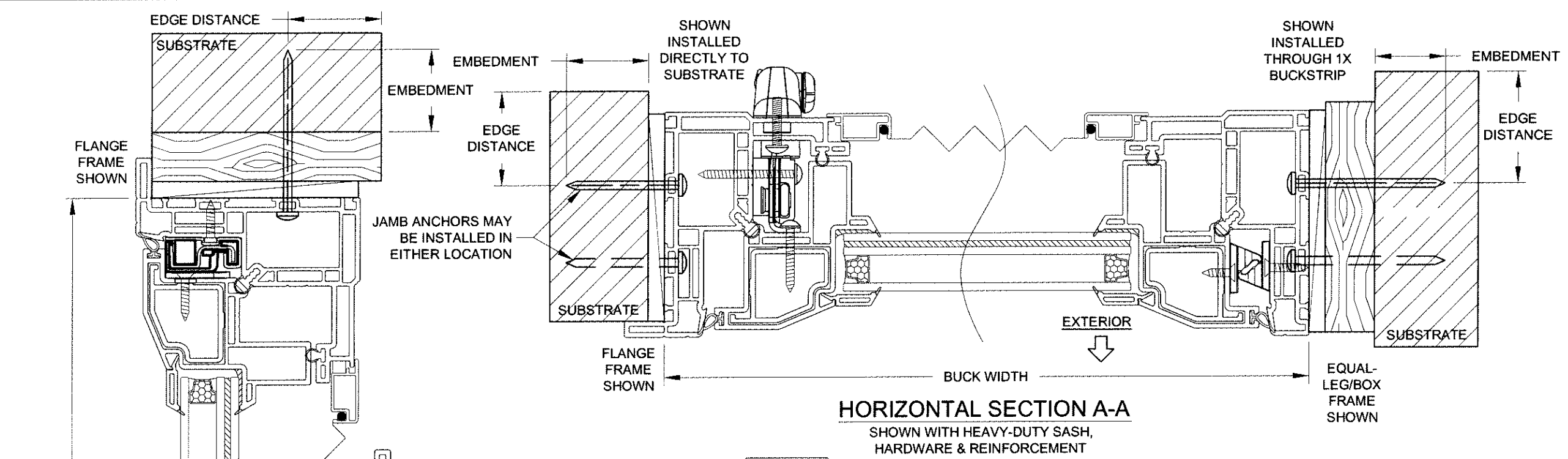
GLAZING TYPES

PVB INTERLAYER MANUFACTURED BY DUPONT INC. (AKA KURARAY AMERICA, INC.)

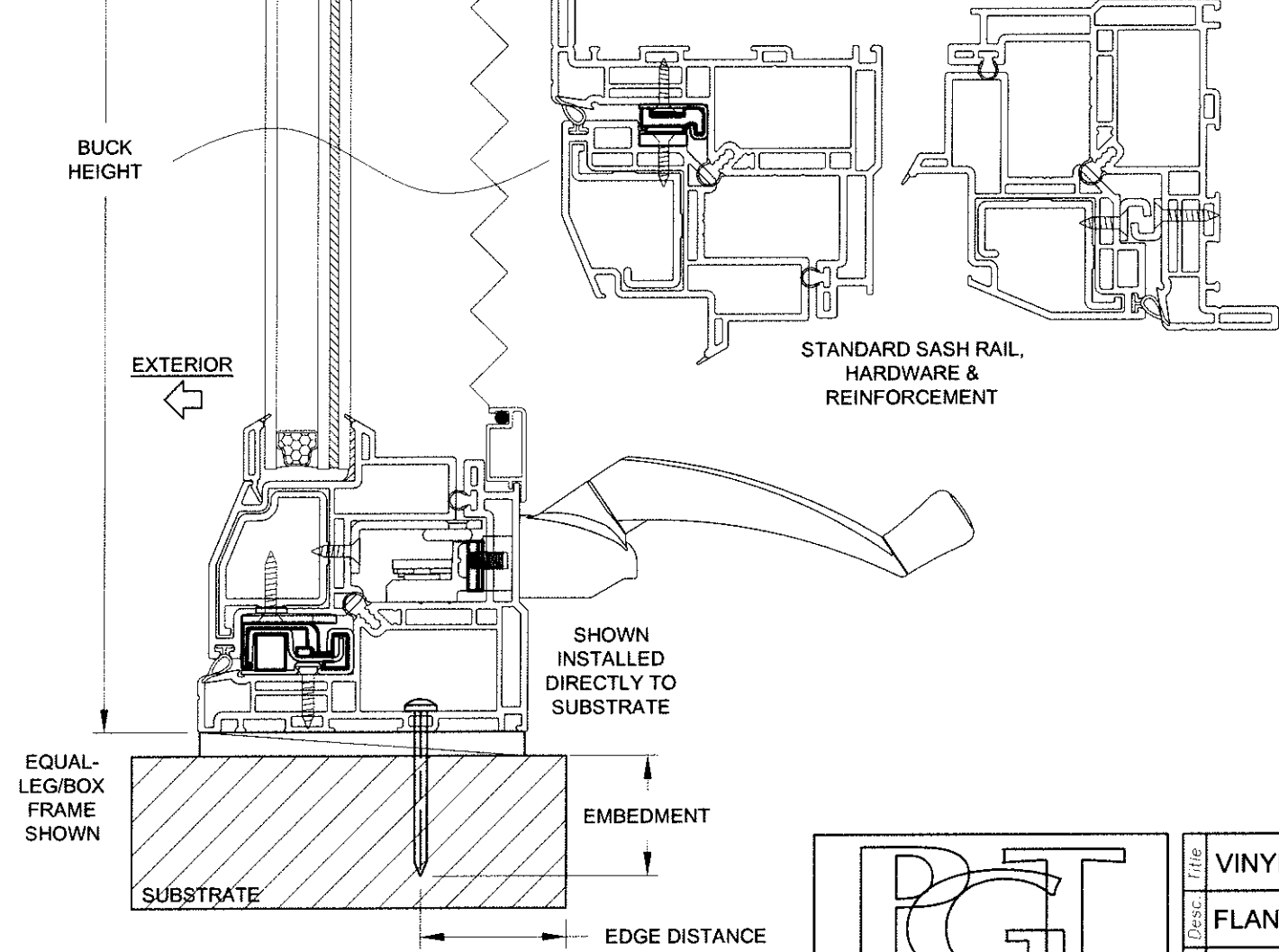
PGT
CERT. OF AUTH. #29296
1070 TECHNOLOGY DRIVE
N. VENICE, FL 34275
(941)-480-1600

Series	Rev 1	Desc.	Title	Date
			VINYL CASEMENT WINDOW FPA (IMP.-RES.)	12/13/14
			GLASS/ANCHOR OPTIONS	
		Drawn By	J ROSOWSKI	
	Rev 1	Date		
	Rev 2	Date		
CA-5540	Scale	NTS	Sheet	2 OF 4
DWG No.	FPA-5540CA.0	Rev. No.		

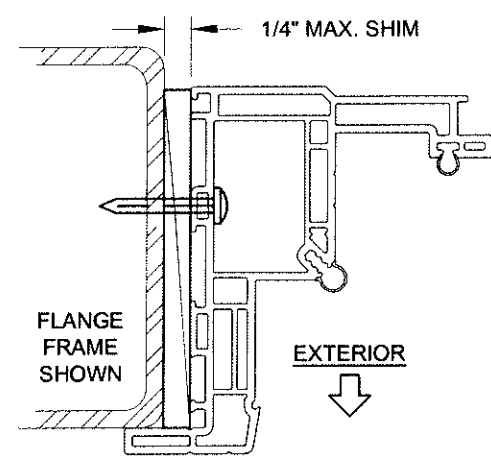
ANTHONY LYNN MILLER
LICENSE
No. 58705
6/10/15
STATE OF FLORIDA
PROFESSIONAL ENGINEER
A. LYNN MILLER, P.E.
P.E.# 58705



HORIZONTAL SECTION A-A
 SHOWN WITH HEAVY-DUTY SASH,
 HARDWARE & REINFORCEMENT



VERTICAL SECTION B-B
 SHOWN WITH HEAVY-DUTY SASH,
 HARDWARE & REINFORCEMENT



INSTALLATION THROUGH
 THE FRAME, INTO METAL

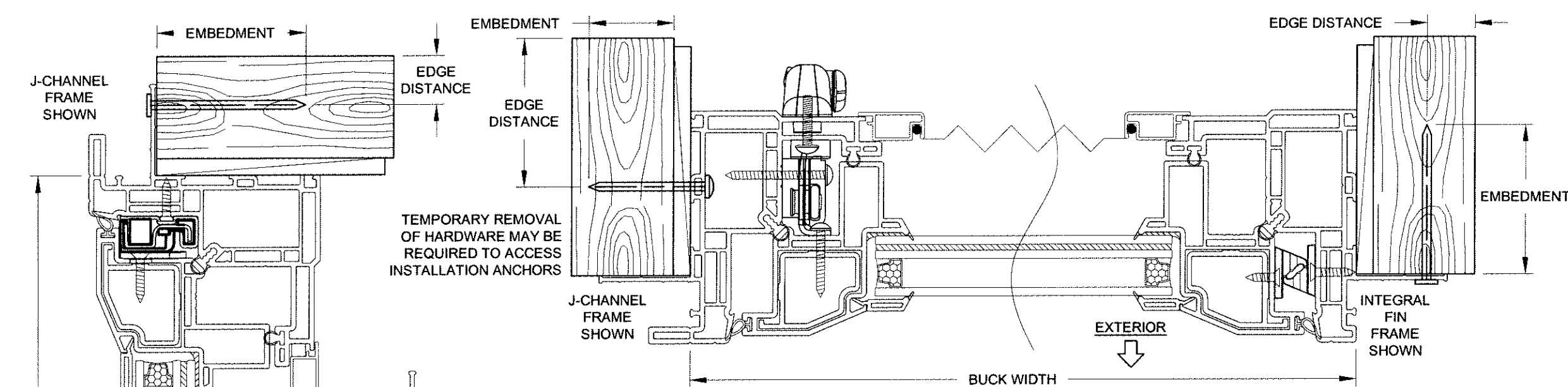
INSTALLATION NOTES:

- 1) SEE SHEET 1 FOR SPACING REQUIREMENTS.
- 2) SEE TABLE(S) ON SHEET 2 FOR ANCHORAGE AND SUBSTRATE REQUIREMENTS.
- 3) MAX. SHIM THICKNESS TO BE 1/4".
- 4) GLASS SHOWN IS FOR ILLUSTRATIVE PURPOSES ONLY AND MAY DIFFER TO MEET DESIGN REQUIREMENTS.
- 5) FIN AND/OR FLANGE MAY BE REMOVED TO CREATE OTHER FRAME TYPES.

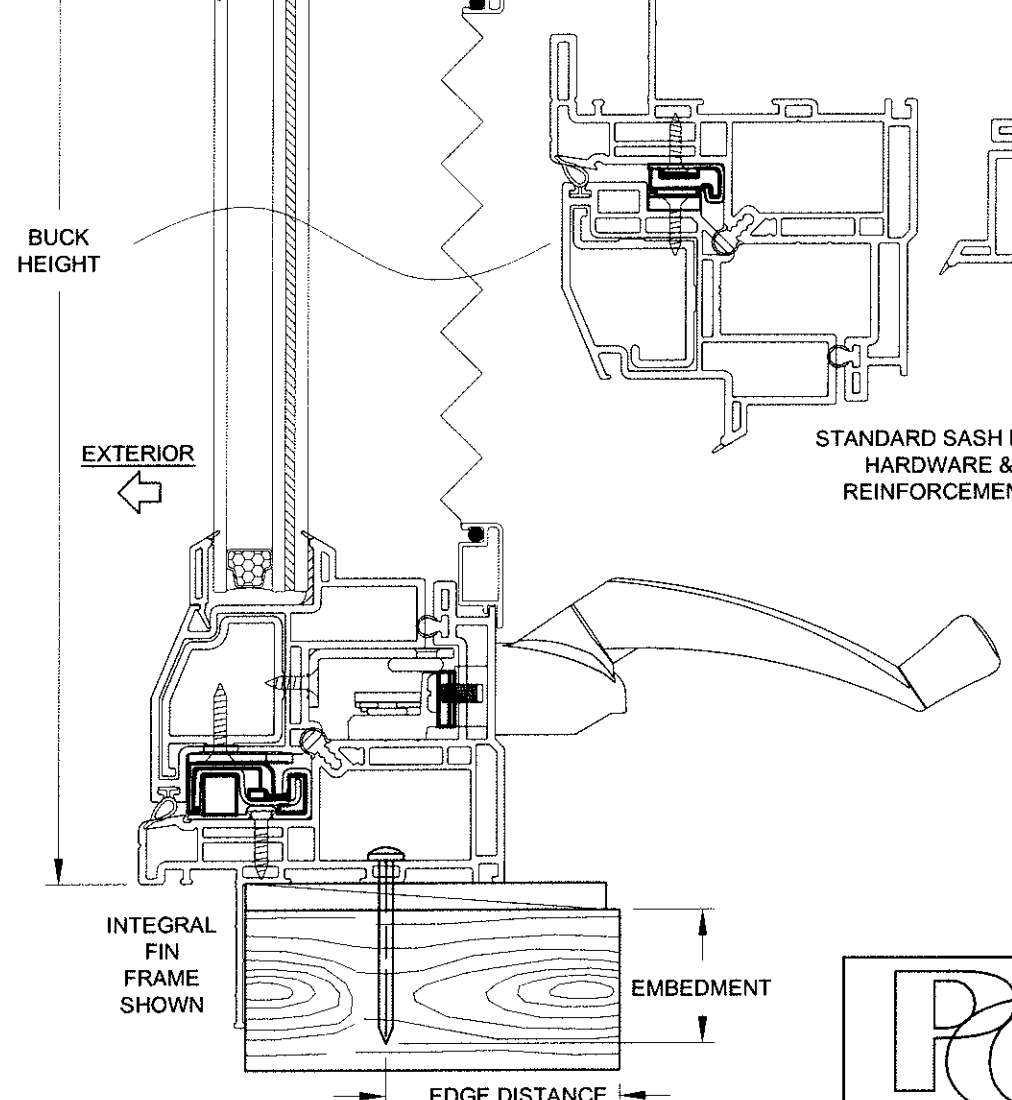
CERT. OF AUTH. #29296
 1070 TECHNOLOGY DRIVE
 N. VENICE, FL 34275
 (941)-480-1600

Series	Rev 1	Desc	Title	Date
			VINYL CASEMENT WINDOW FPA (IMP.-RES.)	12/13/14
			FLANGE & EQUAL-LEG/BOX FRAMES	Drawn By J ROSOWSKI
				Rev 1 Date
				Rev 2 Date
CA-5540	Scale	NTS	Sheet	3 OF 4
			DWG No.	FPA-5540CA.0
			Rev. No.	

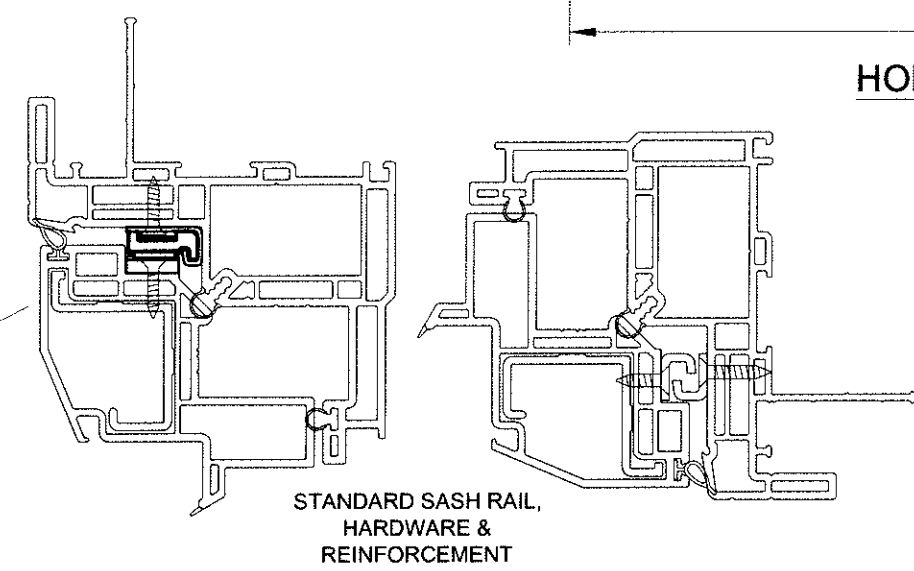
A. LYNN MILLER, P.E.
 P.E.# 58705



HORIZONTAL SECTION C-C
 SHOWN WITH HEAVY-DUTY SASH,
 HARDWARE & REINFORCEMENT



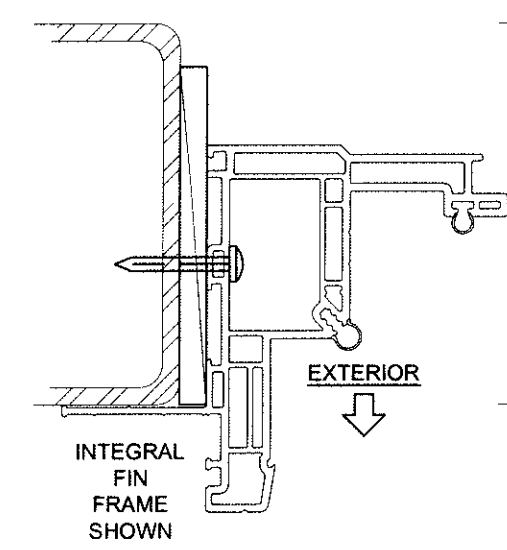
VERTICAL SECTION D-D
 SHOWN WITH HEAVY-DUTY SASH,
 HARDWARE & REINFORCEMENT



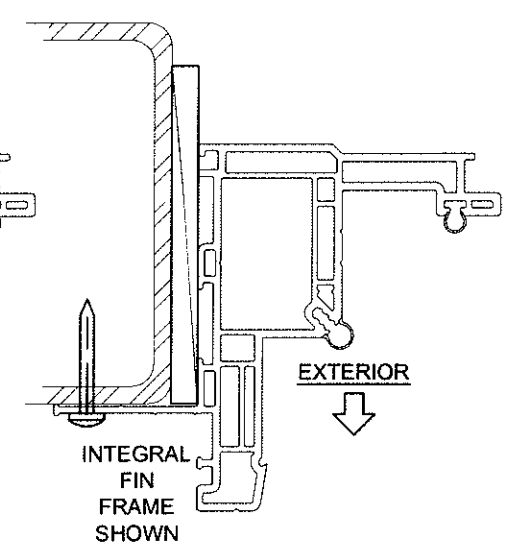
STANDARD SASH RAIL,
 HARDWARE &
 REINFORCEMENT

INSTALLATION NOTES:

- 1) SEE SHEET 1 FOR SPACING REQUIREMENTS.
- 2) SEE TABLE(S) ON SHEET 2 FOR ANCHORAGE AND SUBSTRATE REQUIREMENTS.
- 3) MAX. SHIM THICKNESS TO BE 1/4".
- 4) GLASS SHOWN IS FOR ILLUSTRATIVE PURPOSES ONLY AND MAY DIFFER TO MEET DESIGN REQUIREMENTS.
- 5) FIN AND/OR FLANGE MAY BE REMOVED TO CREATE OTHER FRAME TYPES.



INSTALLATION THROUGH THE FRAME, INTO METAL



INSTALLATION THROUGH THE INTEGRAL FIN, INTO METAL

P&G
 CERT. OF AUTH. #29296
 1070 TECHNOLOGY DRIVE
 N. VENICE, FL 34275
 (941)-480-1600

Series	CA-5540	Scale	NTS	Sheet	4 OF 4	DWG No.	FPA-5540CA.0	Rev. No.	
Title	VINYL CASEMENT WINDOW FPA (IMP.-RES.)		Date	12/13/14					
Desc.	J-CHANNEL & INTEGRAL FIN FRAMES		Drawn By	J ROSOWSKI					
Rev 1	Date								
Rev 2	Date								

ANTHONY LYNN MILLER
 LICENSE
 No. 58705
 6/10/15
 STATE OF FLORIDA
 PROFESSIONAL ENGINEER
 A. LYNN MILLER, P.E.
 P.E.# 58705